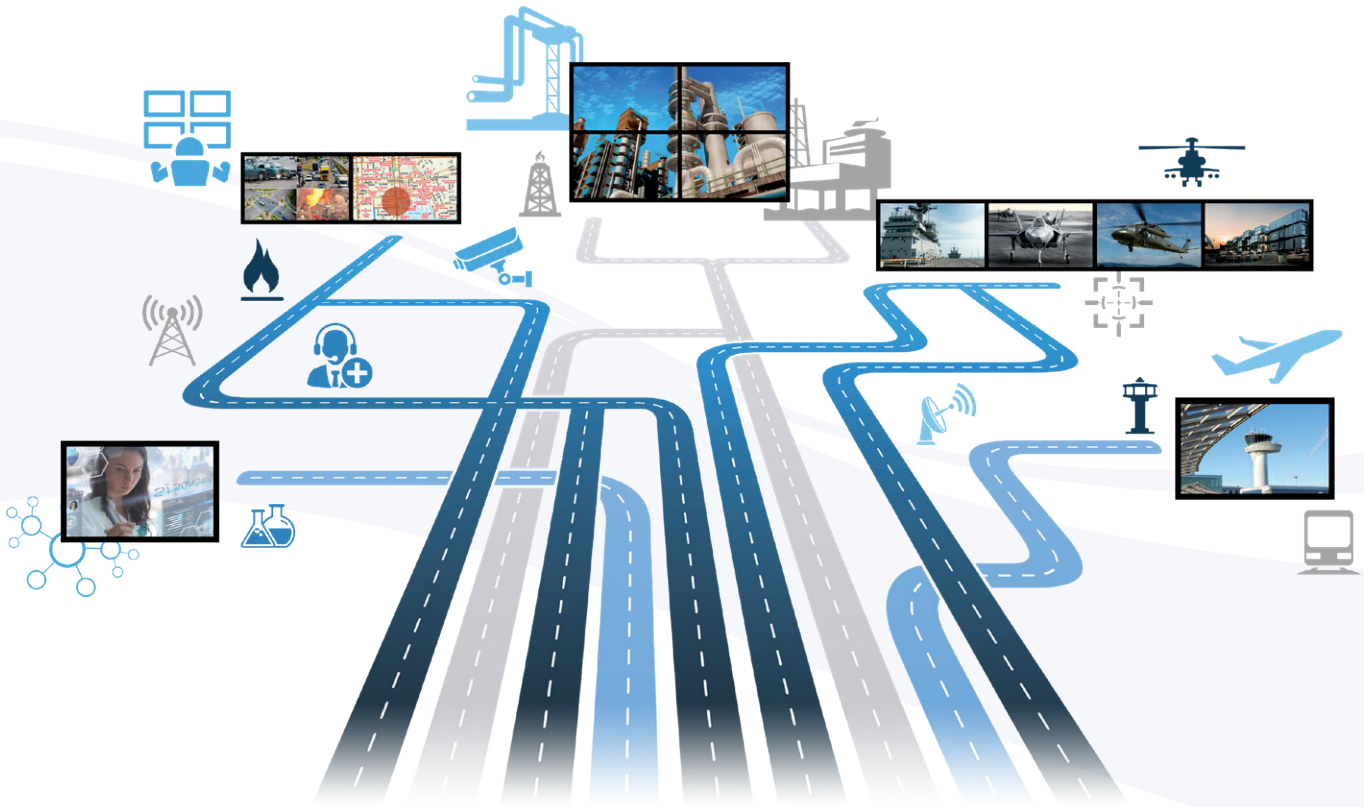


# Exceptional Remote Performance at Low Bitrate



## Matrox **Extio 3** High Performance IP KVM Extenders



Superior Performance • Ease of Integration  
Flexible Operation • Smart Control • Optimized Collaboration

# Exceptional Remote Performance at Low Bitrate

The convergence of AV and IP technologies is changing the business landscape—the huge growth in the accessibility of IP-enabled devices, emergence of highly efficient video compression techniques for long distance AV transmission, and ever-increasing amount of digital data are reshaping the way information is accessed and shared.

The latest addition to Matrox's KVM family is the world's first IP KVM extender to deliver 4K60 4:4:4 UHD performance and multi-display capabilities at unprecedented low-bitrates. Leveraging a standard Gigabit Ethernet network, Extio 3 works with commercial off-the-shelf (COTS) network switches and significantly diminishes the total cost of ownership to deliver a scalable KVM matrix switching solution.

Matrox KVM extenders centralize hardware in a climate-controlled server room to increase security, protect systems against environmental hazards, and reduce system noise and heat emissions. The Matrox Extio 3 IP KVM extender grants seamless remote access to these secured systems, plus the added benefit of smart control over the IP network. This IP KVM extender is ideally suited for industrial automation and control, healthcare, transportation, military, defence, government, broadcasting and post-production industries and applications.



## Superior Performance

- Support ultra-high resolution applications (3840x2160 @60Hz) at unprecedented low-bitrates with the world's first 4K60 4:4:4 IP KVM extender.
- Extend quad-display (1920x1080 @60Hz) KVM over IP with a single transmitter and receiver pair, improving operator workflow across an expansive multi-monitor workspace.
- Experience pristine image quality, smooth video playback, and excellent keyboard and mouse responsiveness at a distance.



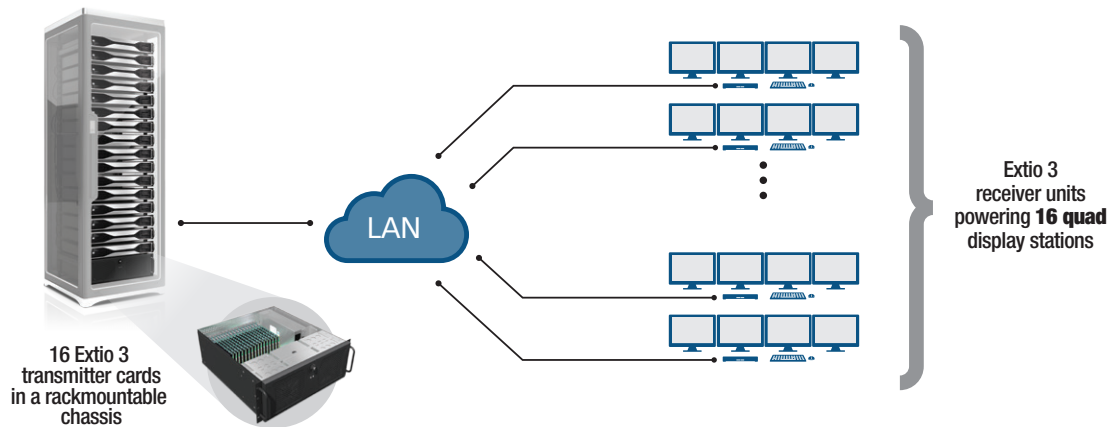
## Smart Control

- Configure, manage, and monitor all Extio 3 devices from a central location on the network via Extio Central Manager software.
- Access control settings locally from any Extio 3 appliance through its on-screen-display (OSD) and easily switch and connect to systems.
- Enhance KVM security with the option to encrypt AV signals and protect the transmitted desktop content.
- Securely transmits control commands over the network through HTTPS.
- Integrate with Microsoft Active Directory Services for user authorization and authentication.
- Employ Simple Network Management Protocol (SNMP) for efficient remote monitoring



## Ease of Integration

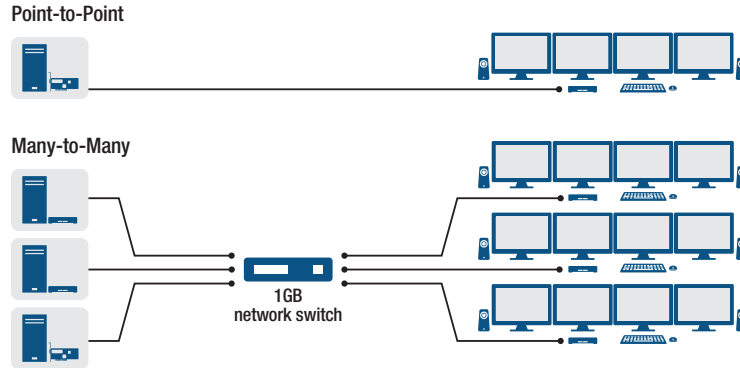
- Leverage existing IT networking equipment and standard Gigabit Ethernet infrastructure for seamless deployment and operations.
- Extend up to four video signals using a single copper or fiber optic cable to reduce installation costs.
- Guarantee a ready fit into certified systems with plug and play deployment; there is no need to install additional software.
- Optimize rack space with two options for the transmitter unit, either a rack-mountable appliance or an integrated PCIe® card.





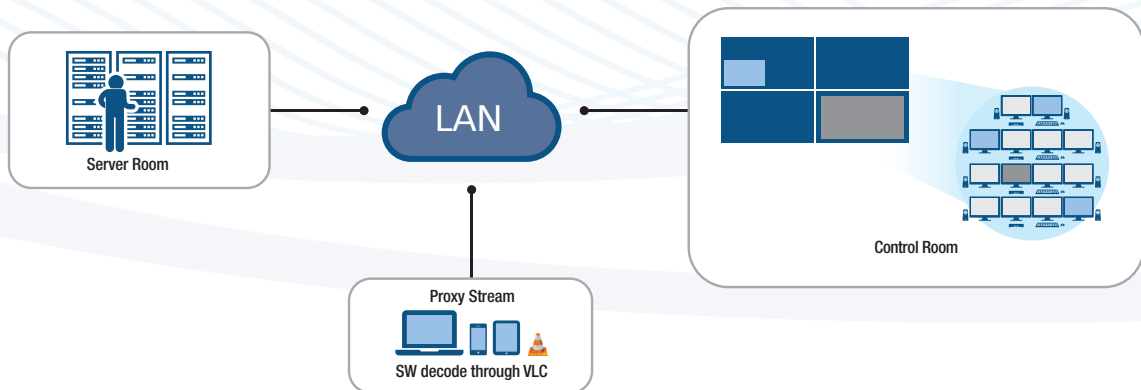
## Flexible Operation

- Deploy as a point-to-point extender or a networked KVM, evolving as needs expand while future-proofing investments.
- Create flexible and scalable KVM matrix-routing with standard Gigabit Ethernet network switches; expand with confidence and without costly upgrades.
- Support one-to-one, many-to-one, or many-to-many configurations to drive connectivity needs.



## Optimized Collaboration

- Route the system to any user station from a centralized location for multi-source data sharing.
- Access systems simultaneously from multiple user stations for faster monitoring and decision making.
- Use the proxy stream, a dedicated secondary video signal—compatible with most H.264 software and hardware decoders—for recording part of the desktop on a network storage device or sharing a screen with other user stations, video walls, and mobile devices as a means of improving collaboration and faster decision making.



## Markets

Matrox KVM extenders are a perfect fit for many applications. Have a specific idea in mind? Contact our sales team and work together to build a solution.



Process Control



Healthcare



Military & Defence



Emergency Operation & Dispatch Centers



Broadcast & Post-Production



Transportation



Government



Education



Industrial & Automation

# Specifications

## Extio 3 – Quad

### N3408 Transmitter Appliance

---

#### Connections to Host System

- 1x DisplayPort 1.2 video input connectors
- 3x DisplayPort 1.1 video input connectors
- 1x USB 2.0 Type B
- Line in 3.5 mm, line out 3.5 mm, RS-232 9-pin D-type (supported in certain configurations)

#### Connections to Local Devices

- 1x DisplayPort 1.1
- 2x USB 2.0 Type A

#### Link

- 1x RJ45 network port
- 1x SFP cage (supports SFP multimode or single-mode transceiver, sold separately)

#### General

- Embedded digital audio through DisplayPort, with option to de-embed digital audio on the receiver unit
- Lockable power connector, external 12V power supply unit
- Standalone or rack-mountable unit (1U ½ R)
- Status LED indicators
- On/off and recessed reset button

#### Part Number

- XTO3-N3408TX

### N3408 Transmitter Card

---

#### Connections to Host System

- PCI Express x8 connector
- 1x Mini DisplayPort 1.2
- 3x Mini DisplayPort 1.1
- 1x USB 2.0 Type mini-B

#### Link

- 1x SFP cage with RJ45 copper transceiver (upgradeable to fiber multimode or single-mode SFP transceiver, sold separately)

#### General

- Embedded digital audio through DisplayPort, with option to de-embed digital audio on the receiver unit

#### Part Number

- XTO3-N3408CTX

### N3408 Receiver Appliance

---

#### Connections to Local Devices

- 1x DisplayPort 1.2 video output connectors
- 3x DisplayPort 1.1 video output connectors
- 6x USB 2.0 Type A
- Line in 3.5 mm, line out 3.5 mm, mic in 3.5 mm, headphone out 3.5 mm

#### Link

- 1x RJ45 network port
- 1x SFP cage (supports SFP multimode and single-mode transceivers, sold separately)

#### General

- Option to de-embed digital audio and convert to analog audio
- Lockable power connector, external 12V power supply unit
- Standalone or rack-mountable unit (1U ½ R)
- Status LED indicators
- On/off and recessed reset button

#### Part Number

- XTO3-N3408RX

### Maximum Supported Resolution

---

- 1x 3840x2160 @60Hz
- 2x 3840x2160 @30Hz
- 3x 1920x1200 @60Hz
- 4x 1920x1080 @60Hz
- 2x 2560x1600 @60Hz

## Extio 3 – Dual

### N3208 Transmitter Appliance

---

#### Connections to Host System

- 2x DisplayPort 1.1 video input connectors
- 1x USB 2.0 Type B
- Line in 3.5 mm, line out 3.5 mm, RS-232 9-pin D-type (supported in certain configurations)

#### Connections to Local Devices

- 1x DisplayPort 1.1
- 2x USB 2.0 Type A

#### Link

- 1x RJ45 network port
- 1x SFP cage (supports SFP multimode or single-mode transceiver, sold separately)

#### General

- Embedded digital audio through DisplayPort, with option to de-embed digital audio on the receiver unit
- Lockable power connector, external 12V power supply unit
- Standalone or rack-mountable unit (1U ½ R)
- Status LED indicators
- On/off and recessed reset button

#### Part Number

- XTO3-N3208TX

### N3208 Transmitter Card

---

#### Connections to Host System

- PCI Express x8 connector
- 2 x Mini DisplayPort 1.1
- 1x USB 2.0 Type mini-B

#### Link

- 1x SFP cage with RJ45 copper transceiver (upgradeable to fiber multimode or single-mode SFP transceiver, sold separately)

#### General

- Embedded digital audio through DisplayPort, with option to de-embed digital audio on the receiver unit

#### Part Number

- XTO3-N3208CTX

### N3208 Receiver Appliance

---

#### Connections to Local Devices

- 2x DisplayPort 1.1 video output connectors
- 6x USB 2.0 Type A
- Line in 3.5 mm, line out 3.5 mm, mic in 3.5 mm, headphone out 3.5 mm

#### Link

- 1x RJ45 network port
- 1x SFP cage (supports SFP multimode or single-mode transceiver, sold separately)

#### General

- Option to de-embed digital audio and convert to analog audio
- Lockable power connector, external 12V power supply unit
- Standalone or rack-mountable unit (1U ½ R)
- Status LED indicators
- On/off and recessed reset button

#### Part Number

- XTO3-N3208RX

### Maximum Supported Resolution

---

- 1x 2560x1600 @60Hz
- 2x 1920x1200 @60Hz

## Contact Matrox

North America Corporate Headquarters: 1 800-361-1408 or 514-822-6000, [graphics@matrox.com](mailto:graphics@matrox.com) (Global)

United Kingdom: +44 (1895) 827300 or +44 (0) 1895 827260 Serving: United Kingdom, Ireland, Benelux, France, Spain, Portugal, Middle East, Africa

Germany: +49 89 62170-444 Serving: Germany, Austria, Switzerland, Denmark, Finland, Norway, Sweden, Eastern Europe, the Baltic States, Greece, Turkey

© 2017 Matrox Graphics, Inc. All rights reserved. Matrox reserves the right to change specifications without notice. Some features may not be available at launch. Contact Matrox for more details on specific requirements. Matrox and Matrox product names are registered trademarks in Canada or other countries and/or trademarks of Matrox Electronic Systems, Ltd and/or Matrox Graphics Inc. All other company and product names are registered trademarks and/or trademarks of their respective owners. 12/2017