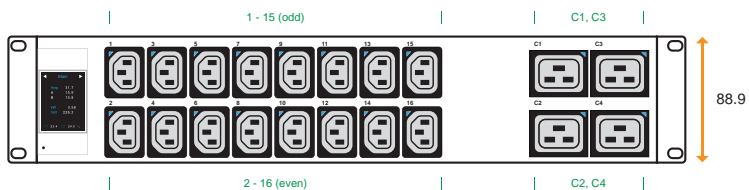


1-Phase Switched + Outlet measurement PDU specification drawing

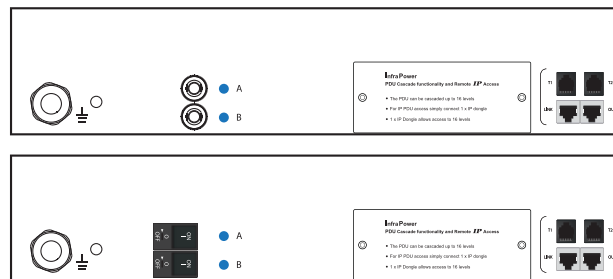
230V 16A / 20A / 32A PDU : C13 x 16 + C19 x 4

unit : mm

Front view



Rear view



Resettable fuse

MCB



IEC 60309 Inlet

32A model :	Circuit Protection
H16C13/4C19-32A-WSi/F_EN/3B-1	Resettable Fuse x 2
H16C13/4C19-32A-WSi/CR_EN/3B-1	1-pole MCB x 2

Input Rating : 32Amp, 230V
Cordset : 3 meter 4.0mm sq. H05V V-F cordset
Protection : 16A resettable fuse or 16A hydraulic MCB x 2
Circuit A : Output 16A max., C13 #1-15 (odd) + C19 #C1,C3
Circuit B : Output 16A max., C13 #2-16 (even) + C19 #C2,C4
Weight : Net 6.38 Kg / Gross 7.01 Kg

Chassis Color	Code
Black	1
White	2
Red	3
Blue	4
Green	5
Orange	6
Yellow	7
Purple	8

Standard color : Black



Open end

20A model :	Circuit Protection
H16C13/4C19-20A-WSi/F_OE/3B-1	Resettable Fuse x 1
H16C13/4C19-20A-WSi/CR_OE/3B-1	1-pole MCB x 1

Input Rating : 20Amp, 230V
Cordset : 3 meter 2.5mm sq. H05V V-F cordset
Protection : 20A resettable fuse or 20A hydraulic MCB x 1
Circuit : Output 20A max., C13 #1-16 + C19 #C1-C4
Weight : Net 7.16 Kg / Gross 7.79 Kg



IEC 60309 Inlet

16A model :	Circuit Protection
H16C13/4C19-16A-WSi/F_EN/3B-1	Resettable Fuse x 1
H16C13/4C19-16A-WSi/CR_EN/3B-1	1-pole MCB x 1

Input Rating : 16Amp, 230V
Cordset : 3 meter 1.5mm sq. H05V V-F cordset
Protection : 16A resettable fuse or 16A hydraulic MCB x 1
Circuit : Output 16A max., C13 #1-16 + C19 #C1-C4
Weight : Net 6.61 Kg / Gross 7.24 Kg



IEC320 C20

16A model :	Circuit Protection
H16C13/4C19-16A-WSi/F_C20/3B-1	Resettable Fuse x 1
H16C13/4C19-16A-WSi/CR_C20/3B-1	1-pole MCB x 1

Input Rating : 16Amp, 230V
Cordset : 3 meter 1.5mm sq. H05V V-F cordset
Protection : 16A resettable fuse or 16A hydraulic MCB x 1
Circuit : Output 16A max., C13 #1-16 + C19 #C1-C4
Weight : Net 6.68 Kg / Gross 7.31 Kg

Operating Temperature : -5 to 60 °C
Storage Temperature : -25 to 65 °C
Operating Altitude : 0 to 2,000 m
Storage Altitude : 0 to 15,000 m
Humidity : 8 to 95% RH, non-condensing

AUSTIN HUGHES
Design. Manufacturing. Global Services.

The company reserves the right to modify product specifications without prior notice and assumes no responsibility for any error which may appear in this publication.

Copyright 2020 Austin Hughes Electronics Ltd. All rights reserved.

Meter Features (WSi Switched PDU + Outlet Measurement)

Local Display : Field replaceable 2" color LCD with touchscreen
Bank Measurement : Current (A), Energy (kWh), Voltage (V) & Power factor
Outlet Measurement : Current (A), Energy (kWh)
Outlet Control : Outlet Switch ON / OFF
Accuracy : ±1% Billing-grade
IP Access : via IP dongle, one IP Access up to 16 PDU Levels
Cascade : Up to 16 PDU under single IP address via IP dongle
SNMP : V2 / V3 via IP dongle
Sensor Port x 2 : Temp. Sensor / Temp. + Humid. Sensor

EMC Compliance : CE / EMC certified
Safety Compliance : CE / LVD certified
Environment Compliance : RoHS2 & REACH

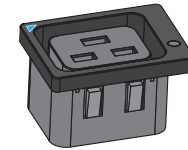
Product Dimension : 437.5 (W) x 350 (D) x 88.9 (H) mm
Packing dimension : 525 (W) x 460 (D) x 130 (H) mm

Lockable IEC Outlet

- Patented design for InfraPower PDU



C13 Outlet



C19 Outlet

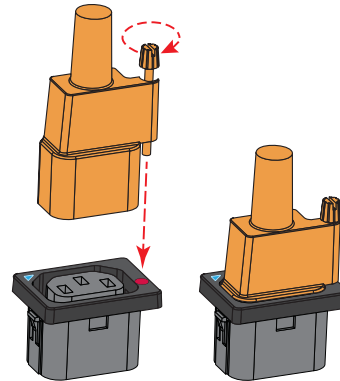
Lockable IEC Cable

- Patented design of InfraPower PDU
- Low cost, easy to lock & secure
- Proprietary for lockable IEC outlet
- Applicable to standard IEC outlet
- 6 colors & 3 lengths available
- Custom color & length on request
- VDE & ENEC approval

C13 - C14

H05VV-F 3G 0.75mm²

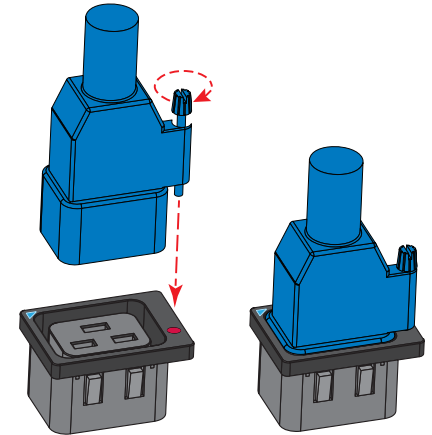
Cable Color	0.5M	1M	2M
Black	✓	✓	✓
Grey	✓	✓	✓
Red	✓	✓	✓
Blue	✓	✓	✓
Green	✓	✓	✓
Orange	✓	✓	✓



C19 - C20

H05VV-F 3G 1.5mm²

Cable Color	1M	2M
Black	✓	✓
Grey	✓	✓
Red	✓	✓
Blue	✓	✓
Green	✓	✓
Orange	✓	✓



C13 - C14

lockable cable

C19 - C20

- ✓ low cost
- ✓ easy to lock
- ✓ secure

