

1-Phase Switched + Outlet measurement PDU specification drawing

230V 16A / 20A / 32A PDU : C13 x 8 + C19 x 2

unit : mm

Front view



Rear view



Resettable fuse



MCB



IEC 60309 Inlet

32A model :	Circuit Protection
H8C13/2C19-32A-WSI/F_EN/3B-1	Resettable Fuse x 2
H8C13/2C19-32A-WSI/CR_EN/3B-1	1-pole MCB x 2

Input Rating : 32Amp, 230V
Cordset : 3 meter 4.0mm sq. H05V V-F cordset
Protection : 16A resettable fuse or 16A hydraulic MCB x 2
Circuit A : Output 16A max., C13 #1-4 + C19 #C1
Circuit B : Output 16A max., C13 #5-8 + C19 #C2
Weight : Net 5.04 Kg / Gross 5.54 Kg

Chassis Color	Code
Black	1
White	2
Red	3
Blue	4
Green	5
Orange	6
Yellow	7
Purple	8

Standard color : Black



Open end

20A model :	Circuit Protection
H8C13/2C19-20A-WSI/F_OE/3B-1	Resettable Fuse x 1
H8C13/2C19-20A-WSI/CR_OE/3B-1	1-pole MCB x 1

Input Rating : 20Amp, 230V
Cordset : 3 meter 2.5mm sq. H05V V-F cordset
Protection : 20A resettable fuse or 20A hydraulic MCB x 1
Circuit : Output 20A max., C13 #1-8 + C19 #C1-C2
Weight : Net 5.83 Kg / Gross 6.33 Kg



IEC 60309 Inlet

16A model :	Circuit Protection
H8C13/2C19-16A-WSI/F_EN/3B-1	Resettable Fuse x 1
H8C13/2C19-16A-WSI/CR_EN/3B-1	1-pole MCB x 1

Input Rating : 16Amp, 230V
Cordset : 3 meter 1.5mm sq. H05V V-F cordset
Protection : 16A resettable fuse or 16A hydraulic MCB x 1
Circuit : Output 16A max., C13 #1-8 + C19 #C1-C2
Weight : Net 5.27 Kg / Gross 5.77 Kg



IEC320 C20

16A model :	Circuit Protection
H8C13/2C19-16A-WSI/F_C20/3B-1	Resettable Fuse x 1
H8C13/2C19-16A-WSI/CR_C20/3B-1	1-pole MCB x 1

Input Rating : 16Amp, 230V
Cordset : 3 meter 1.5mm sq. H05V V-F cordset
Protection : 16A resettable fuse or 16A hydraulic MCB x 1
Circuit : Output 16A max., C13 #1-8 + C19 #C1-C2
Weight : Net 5.34 Kg / Gross 5.84 Kg

Operating Temperature : -5 to 60 °C
Storage Temperature : -25 to 65 °C
Operating Altitude : 0 to 2,000 m
Storage Altitude : 0 to 15,000 m
Humidity : 8 to 95% RH, non-condensing

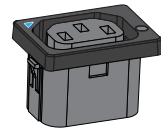
Meter Features (WSI Switched PDU + Outlet Measurement)

Local Display : Field replaceable 2" color LCD with touchscreen
Bank Measurement : Current (A), Energy (kWh), Voltage (V) & Power factor
Outlet Measurement : Current (A), Energy (kWh)
Outlet Control : Outlet Switch ON / OFF
Accuracy : ±1% Billing-grade
IP Access : via IP dongle, one IP Access up to 16 PDU Levels
Cascade : Up to 16 PDU under single IP address via IP dongle
SNMP : V2 / V3 via IP dongle
Sensor Port x 2 : Temp. Sensor / Temp. + Humid. Sensor

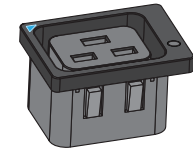
EMC Compliance : CE / EMC certified
Safety Compliance : CE / LVD certified
Environment Compliance : RoHS2 & REACH

Lockable IEC Outlet

- Patented design for InfraPower PDU



C13 Outlet



C19 Outlet

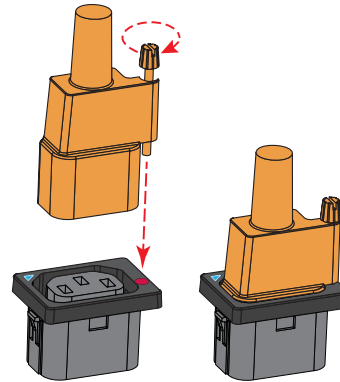
Lockable IEC Cable

- Patented design of InfraPower PDU
- Low cost, easy to lock & secure
- Proprietary for lockable IEC outlet
- Applicable to standard IEC outlet
- 6 colors & 3 lengths available
- Custom color & length on request
- VDE & ENEC approval

C13 - C14

H05VV-F 3G 0.75mm²

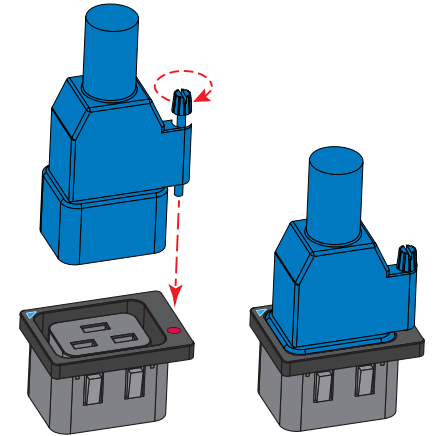
Cable Color	0.5M	1M	2M
Black	✓	✓	✓
Grey	✓	✓	✓
Red	✓	✓	✓
Blue	✓	✓	✓
Green	✓	✓	✓
Orange	✓	✓	✓



C19 - C20

H05VV-F 3G 1.5mm²

Cable Color	1M	2M
Black	✓	✓
Grey	✓	✓
Red	✓	✓
Blue	✓	✓
Green	✓	✓
Orange	✓	✓



C13 - C14

lockable cable

C19 - C20

- ✓ low cost
- ✓ easy to lock
- ✓ secure

