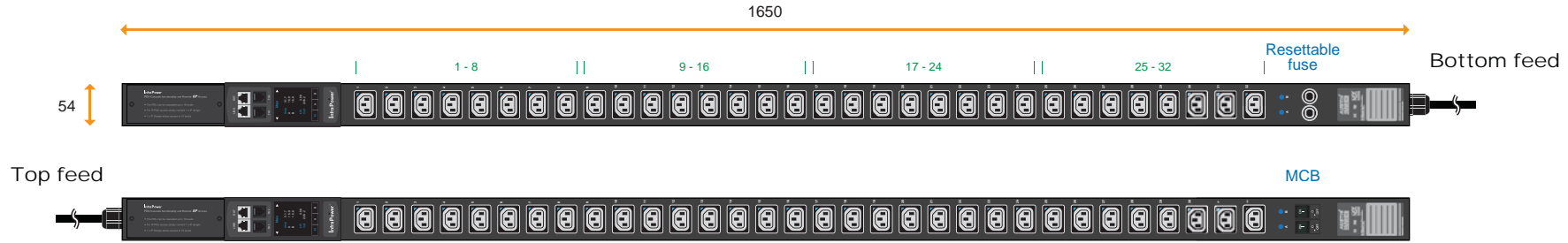


# 1-Phase switched PDU + outlet measurement specification drawing

## 230V 16A / 20A / 32A PDU : C13 x 32

unit : mm



PDU Feed	Code
Bottom	B
Top	T



32A model :	Circuit Protection
V32C13-32A-WSi/F_EN/3B-1	Resettable Fuse x 2
V32C13-32A-WSi/CR_EN/3T-1	1-pole MCB x 2

Input Rating : 32Amp, 230V  
Cordset : 3 meter 4.0mm sq. H05V V-F cordset  
Protection : 16A resettable fuse or 16A hydraulic MCB x 2  
Circuit A : Output 16A max., C13 #1-16  
Circuit B : Output 16A max., C13 #17-32  
Weight : Net 8.07 Kg / Gross 9.95 Kg

Chassis Color	Code
Black	1
White	2
Red	3
Blue	4
Green	5
Orange	6
Yellow	7
Purple	8



20A model :	Circuit Protection
V32C13-20A-WSi/F_OE/3B-1	Resettable Fuse x 1
V32C13-20A-WSi/CR_OE/3T-1	1-pole MCB x 1

Input Rating : 20Amp, 230V  
Cordset : 3 meter 2.5mm sq. H05V V-F cordset  
Protection : 20A resettable fuse or 20A hydraulic MCB x 1  
Circuit : Output 20A max., C13 #1-32  
Weight : Net 7.30 Kg / Gross 9.19 Kg



16A model :	Circuit Protection
V32C13-16A-WSi/F_EN/3B-1	Resettable Fuse x 1
V32C13-16A-WSi/CR_EN/3T-1	1-pole MCB x 1

Input Rating : 16Amp, 230V  
Cordset : 3 meter 1.5mm sq. H05V V-F cordset  
Protection : 16A resettable fuse or 16A hydraulic MCB x 1  
Circuit : Output 16A max., C13 #1-32  
Weight : Net 7.23 Kg / Gross 9.12 Kg



16A model :	Circuit Protection
V32C13-16A-WSi/F_C20/3B-1	Resettable Fuse x 1
V32C13-16A-WSi/CR_C20/3T-1	1-pole MCB x 1

Input Rating : 16Amp, 230V  
Cordset : 3 meter 1.5mm sq. H05V V-F cordset  
Protection : 16A resettable fuse or 16A hydraulic MCB x 1  
Circuit : Output 16A max., C13 #1-32  
Weight : Net 7.16 Kg / Gross 9.04 Kg

Operating Temperature : -5 to 60 °C  
Storage Temperature : -25 to 65 °C  
Operating Altitude : 0 to 2,000 m  
Storage Altitude : 0 to 15,000 m  
Humidity : 8 to 95% RH, non-condensing

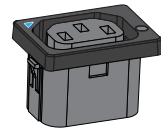
### Meter Features ( WSi Switched PDU + Outlet Measurement )

Local Display : Field replaceable 2.8" color LCD with touchscreen  
Bank Measurement : Current ( A ), Energy ( kWh ), Voltage ( V ) & Power factor  
Outlet Measurement : Current ( A ), Energy ( kWh )  
Outlet Control : Outlet Switch ON / OFF  
Accuracy : ±1% Billing-grade  
IP Access : via IP dongle, one IP Access up to 16 PDU Levels  
Cascade : Up to 16 PDU under single IP address via IP dongle  
SNMP : V2 / V3 via IP dongle  
Sensor Port x 2 : Temp. Sensor / Temp. + Humid. Sensor

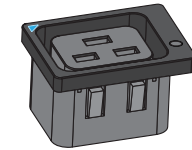
EMC Compliance : CE / EMC certified  
Safety Compliance : CE / LVD certified  
Environment Compliance : RoHS2 & REACH

## Lockable IEC Outlet

- Patented design for InfraPower PDU



C13 Outlet



C19 Outlet

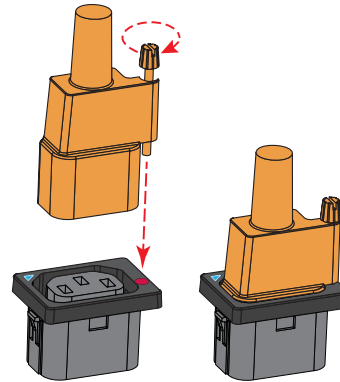
## Lockable IEC Cable

- Patented design of InfraPower PDU
- Low cost, easy to lock & secure
- Proprietary for lockable IEC outlet
- Applicable to standard IEC outlet
- 6 colors & 3 lengths available
- Custom color & length on request
- VDE & ENEC approval

### C13 - C14

H05VV-F 3G 0.75mm<sup>2</sup>

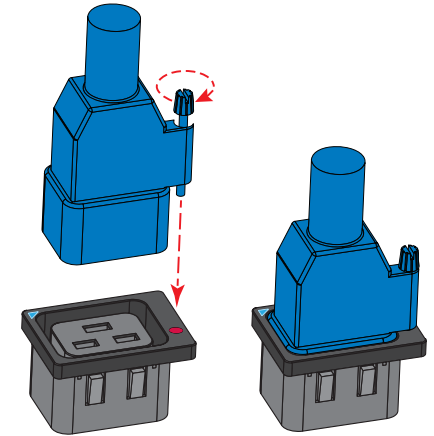
Cable Color	0.5M	1M	2M
Black	✓	✓	✓
Grey	✓	✓	✓
Red	✓	✓	✓
Blue	✓	✓	✓
Green	✓	✓	✓
Orange	✓	✓	✓



### C19 - C20

H05VV-F 3G 1.5mm<sup>2</sup>

Cable Color	1M	2M
Black	✓	✓
Grey	✓	✓
Red	✓	✓
Blue	✓	✓
Green	✓	✓
Orange	✓	✓

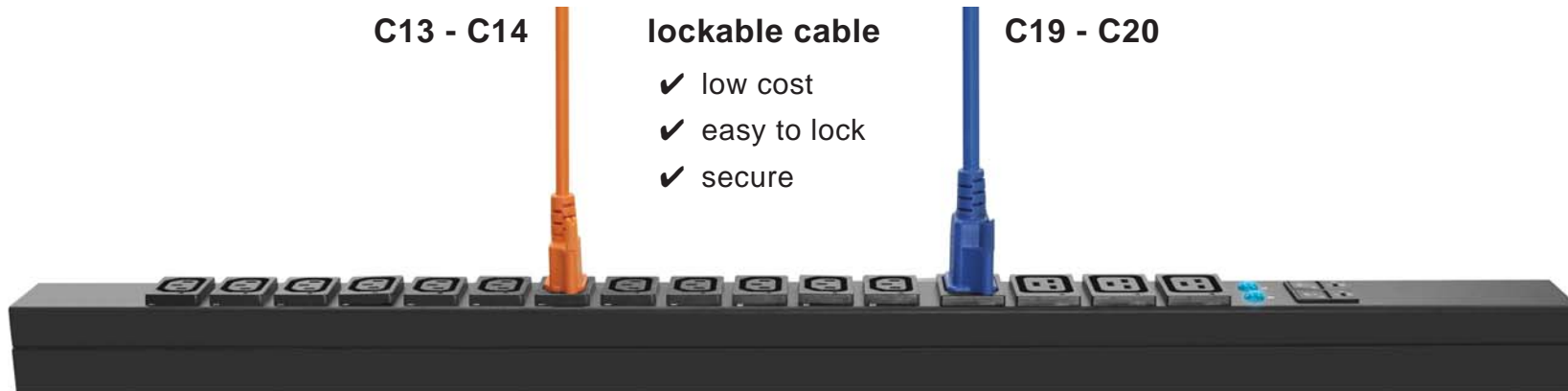


C13 - C14

lockable cable

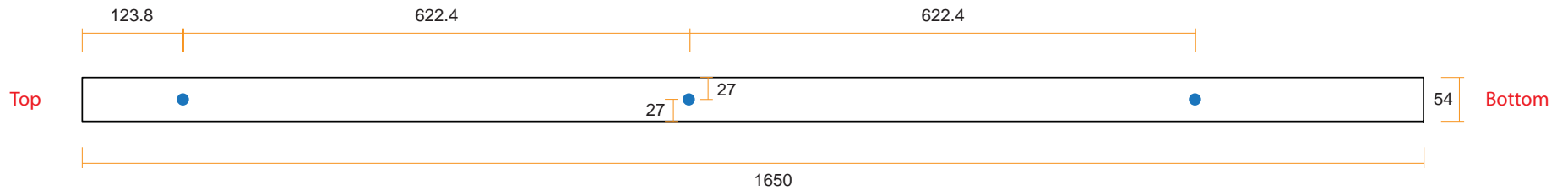
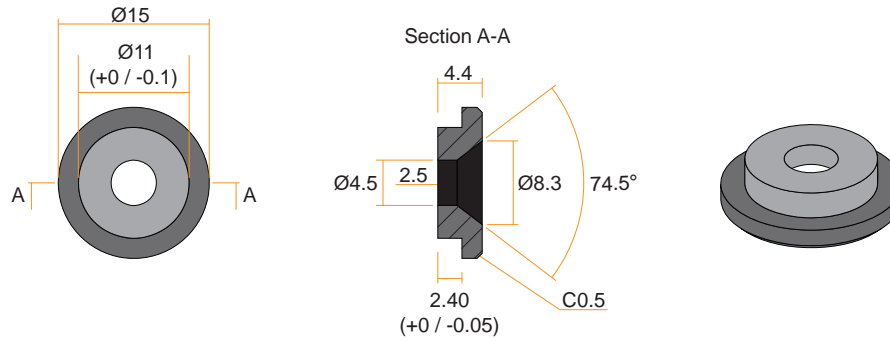
C19 - C20

- ✓ low cost
- ✓ easy to lock
- ✓ secure





### VMS Mounting Button

 x 3 +  x 3  
**M4 Screw**  
 - Flat head  
 - M4x10mm  
**PEG**



### VMB Mounting Bracket

 x 4 +  x 2  
**M3.2 Screw**  
 - Flat head  
 - M3.2x6mm  
**Bracket**

