

| PDU Feed | Code     |
|----------|----------|
| Bottom   | <b>B</b> |
| Top      | <b>T</b> |



| 32A model :                             | Circuit Protection  |
|---|---------------------|
| VP30C13/6C19-32A-WSi/F_EN/2 <b>B-1</b>  | Resettable Fuse x 6 |
| VP30C13/6C19-32A-WSi/CR_EN/2 <b>T-1</b> | 1-pole MCB x 6      |

- Input Rating : 32Amp, 400V 3PH
- Cordset : 5-wire 2 meter 4mm sq. H05V V-F cordset
- Protection : 16A resettable fuse or 16A single pole hydraulic MCB x 6
- PH-1 - Bank 1 : Output 16A max., C13 #1-5 + C19 #C1
- Bank 2 : Output 16A max., C13 #6-10 + C19 #C2
- PH-2 - Bank 3 : Output 16A max., C13 #1-5 + C19 #C1
- Bank 4 : Output 16A max., C13 #6-10 + C19 #C2
- PH-3 - Bank 5 : Output 16A max., C13 #1-5 + C19 #C1
- Bank 6 : Output 16A max., C13 #6-10 + C19 #C2
- Weight : Net 12.20 Kg / Gross 14.20 Kg

| Chassis Color | Code     |
|---------------|----------|
| Black         | <b>1</b> |
| White         | <b>2</b> |
| Red           | <b>3</b> |
| Blue          | <b>4</b> |
| Green         | <b>5</b> |
| Orange        | <b>6</b> |
| Yellow        | <b>7</b> |
| Purple        | <b>8</b> |



| 16A model :                             | Circuit Protection  |
|---|---------------------|
| VP30C13/6C19-16A-WSi/F_EN/2 <b>B-1</b>  | Resettable Fuse x 3 |
| VP30C13/6C19-16A-WSi/CR_EN/2 <b>T-1</b> | 1-pole MCB x 3      |

- Input Rating : 16Amp, 400V 3PH
- Cordset : 5-wire 2 meter 1.5mm sq. H05V V-F cordset
- Protection : 16A resettable fuse or 16A single pole hydraulic MCB x 3
- PH-1 : Output 16A max., C13 #1-10 + C19 #C1-C2
- PH-2 : Output 16A max., C13 #1-10 + C19 #C1-C2
- PH-3 : Output 16A max., C13 #1-10 + C19 #C1-C2
- Weight : Net 12.20 Kg / Gross 14.20 Kg

Standard color : Black

Operating Temperature : -5 to 60 °C  
Storage Temperature : -25 to 65 °C  
Operating Altitude : 0 to 2,000 m  
Storage Altitude : 0 to 15,000 m  
Humidity : 8 to 95% RH, non-condensing

**Meter Features ( WSi Switched PDU + Outlet Measurement )**  
Local Display : Field replaceable 2.8" color LCD with touchscreen  
Bank Measurement : Current ( A ), Energy ( kWh ), Voltage ( V ) & Power factor  
Outlet Measurement : Current ( A ), Energy ( kWh )  
Outlet Control : Outlet Switch ON / OFF  
Accuracy : ±1% Billing-grade  
IP Access : via IP dongle, one IP Access up to 16 PDU Levels  
Cascade : Up to 16 PDU under single IP address via IP dongle  
SNMP : V2 / V3 via IP dongle  
Sensor Port x 2 : Temp. Sensor / Temp. + Humid. Sensor

EMC Compliance : CE / EMC certified  
Safety Compliance : CE / LVD certified  
Environment Compliance : RoHS2 & REACH

**AUSTIN HUGHES**  
Design. Manufacturing. Global Services.

The company reserves the right to modify product specifications without prior notice and assumes no responsibility for any error which may appear in this publication.

Copyright 2020 Austin Hughes Electronics Ltd. All rights reserved.

Product Dimension : 54 (W) x 90 (D) x 1850 (H) mm  
Packing dimension ( for 2 PDUs ) : 110 (W) x 268 (D) x 2168 (H) mm

## Lockable IEC Outlet

- Patented design for InfraPower PDU



**C13 Outlet**



**C19 Outlet**

## Lockable IEC Cable

- Patented design of InfraPower PDU
- Low cost, easy to lock & secure
- Proprietary for lockable IEC outlet
- Applicable to standard IEC outlet
- 6 colors & 3 lengths available
- Custom color & length on request
- VDE & ENEC approval

### C13 - C14

H05VV-F 3G 0.75mm<sup>2</sup>

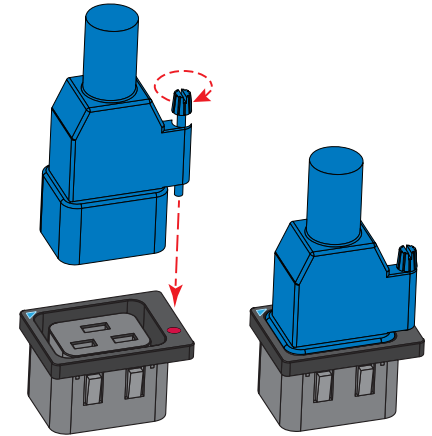
| Cable Color | 0.5M | 1M | 2M |
|-------------|------|----|----|
| Black       | ✓    | ✓  | ✓  |
| Grey        | ✓    | ✓  | ✓  |
| Red         | ✓    | ✓  | ✓  |
| Blue        | ✓    | ✓  | ✓  |
| Green       | ✓    | ✓  | ✓  |
| Orange      | ✓    | ✓  | ✓  |



### C19 - C20

H05VV-F 3G 1.5mm<sup>2</sup>

| Cable Color | 1M | 2M |
|-------------|----|----|
| Black       | ✓  | ✓  |
| Grey        | ✓  | ✓  |
| Red         | ✓  | ✓  |
| Blue        | ✓  | ✓  |
| Green       | ✓  | ✓  |
| Orange      | ✓  | ✓  |



**C13 - C14**

**lockable cable**

**C19 - C20**

- ✓ low cost
- ✓ easy to lock
- ✓ secure

