

PDU Feed	Code
Bottom	B
Top	T



32A model :	Circuit Protection
VP36C13/6C19-32A-Wi/F_EN/2B-1	Resettable Fuse x 6
VP36C13/6C19-32A-Wi/CR_EN/2T-1	1-pole MCB x 6

- Input Rating : 32Amp, 400V 3PH
- Cordset : 5-wire 2 meter 4mm sq. H05V V-F cordset
- Protection : 16A resettable fuse or 16A single pole hydraulic MCB x 6
- PH-1 - Bank 1 : Output 16A max., C13 #1-11 (odd) + C19 #C1
Bank 2 : Output 16A max., C13 #2-12 (even) + C19 #C2
- PH-2 - Bank 3 : Output 16A max., C13 #1-11 (odd) + C19 #C1
Bank 4 : Output 16A max., C13 #2-12 (even) + C19 #C2
- PH-3 - Bank 5 : Output 16A max., C13 #1-11 (odd) + C19 #C1
Bank 6 : Output 16A max., C13 #2-12 (even) + C19 #C2
- Weight : Net 12.20 Kg / Gross 14.20 Kg

Chassis Color	Code
Black	1
White	2
Red	3
Blue	4
Green	5
Orange	6
Yellow	7
Purple	8



16A model :	Circuit Protection
VP36C13/6C19-16A-Wi/F_EN/2B-1	Resettable Fuse x 3
VP36C13/6C19-16A-Wi/CR_EN/2T-1	1-pole MCB x 3

- Input Rating : 16Amp, 400V 3PH
- Cordset : 5-wire 2 meter 1.5mm sq. H05V V-F cordset
- Protection : 16A resettable fuse or 16A single pole hydraulic MCB x 3
- PH-1 : Output 16A max., C13 #1-12 + C19 #C1-C2
- PH-2 : Output 16A max., C13 #1-12 + C19 #C1-C2
- PH-3 : Output 16A max., C13 #1-12 + C19 #C1-C2
- Weight : Net 12.20 Kg / Gross 14.20 Kg

Standard color : Black

Operating Temperature : -5 to 60 °C
Storage Temperature : -25 to 65 °C
Operating Altitude : 0 to 2,000 m
Storage Altitude : 0 to 15,000 m
Humidity : 8 to 95% RH, non-condensing

Meter Features (Wi Monitored PDU + Outlet Measurement)
Local Display : Field replaceable 2.8" color LCD with touchscreen
Bank Measurement : Current (A), Energy (kWh), Voltage (V) & Power factor
Outlet Measurement : Current (A), Energy (kWh)
Accuracy : ±1% Billing-grade
IP Access : via IP dongle, one IP Access up to 16 PDU Levels
Cascade : Up to 16 PDU under single IP address via IP dongle
SNMP : V2 / V3 via IP dongle
Sensor Port x 2 : Temp. Sensor / Temp. + Humid. Sensor

EMC Compliance : CE / EMC certified
Safety Compliance : CE / LVD certified
Environment Compliance : RoHS2 & REACH

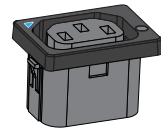


The company reserves the right to modify product specifications without prior notice and assumes no responsibility for any error which may appear in this publication.

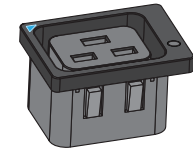
Product Dimension : 85 (W) x 90 (D) x 1800 (H) mm
Packing dimension : 110 (W) x 268 (D) x 2168 (H) mm

Lockable IEC Outlet

- Patented design for InfraPower PDU



C13 Outlet



C19 Outlet

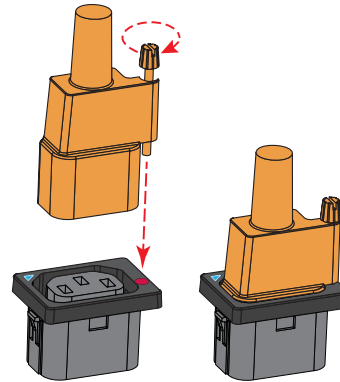
Lockable IEC Cable

- Patented design of InfraPower PDU
- Low cost, easy to lock & secure
- Proprietary for lockable IEC outlet
- Applicable to standard IEC outlet
- 6 colors & 3 lengths available
- Custom color & length on request
- VDE & ENEC approval

C13 - C14

H05VV-F 3G 0.75mm²

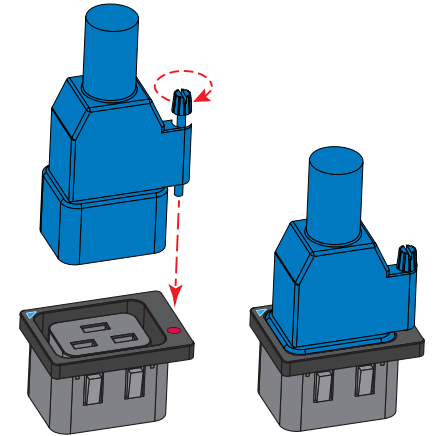
Cable Color	0.5M	1M	2M
Black	✓	✓	✓
Grey	✓	✓	✓
Red	✓	✓	✓
Blue	✓	✓	✓
Green	✓	✓	✓
Orange	✓	✓	✓



C19 - C20

H05VV-F 3G 1.5mm²

Cable Color	1M	2M
Black	✓	✓
Grey	✓	✓
Red	✓	✓
Blue	✓	✓
Green	✓	✓
Orange	✓	✓



C13 - C14



lockable cable

- ✓ low cost
- ✓ easy to lock
- ✓ secure



C19 - C20

