

| PDU Feed | Code |
|----------|----------|
| Bottom | B |
| Top | T |



| 32A model : | Circuit Protection |
|------------------------------------|---------------------|
| VP48C13-32A-WS/F_EN/2 B -1 | Resettable Fuse x 6 |
| VP48C13-32A-WS/CR_EN/2 T -1 | 1-pole MCB x 6 |

- Input Rating : 32Amp, 400V 3PH
- Cordset : 5-wire 2 meter 4mm sq. H05V V-F cordset
- Protection : 16A resettable fuse or 16A single pole hydraulic MCB x 6
- PH-1 - Bank 1 : Output 16A max., C13 #1-15 (odd)
- Bank 2 : Output 16A max., C13 #2-16 (even)
- PH-2 - Bank 3 : Output 16A max., C13 #1-15 (odd)
- Bank 4 : Output 16A max., C13 #2-16 (even)
- PH-3 - Bank 5 : Output 16A max., C13 #1-15 (odd)
- Bank 6 : Output 16A max., C13 #2-16 (even)
- Weight : Net 12.20 Kg / Gross 14.20 Kg

| Chassis Color | Code |
|---------------|----------|
| Black | 1 |
| White | 2 |
| Red | 3 |
| Blue | 4 |
| Green | 5 |
| Orange | 6 |
| Yellow | 7 |
| Purple | 8 |



| 16A model : | Circuit Protection |
|------------------------------------|---------------------|
| VP48C13-16A-WS/F_EN/2 B -1 | Resettable Fuse x 3 |
| VP48C13-16A-WS/CR_EN/2 T -1 | 1-pole MCB x 3 |

- Input Rating : 16Amp, 400V 3PH
- Cordset : 5-wire 2 meter 1.5mm sq. H05V V-F cordset
- Protection : 16A resettable fuse or 16A single pole hydraulic MCB x 3
- PH-1 : Output 16A max., C13 #1-16
- PH-2 : Output 16A max., C13 #1-16
- PH-3 : Output 16A max., C13 #1-16
- Weight : Net 12.20 Kg / Gross 14.20 Kg

Standard color : Black

- Operating Temperature : -5 to 60 °C
- Storage Temperature : -25 to 65 °C
- Operating Altitude : 0 to 2,000 m
- Storage Altitude : 0 to 15,000 m
- Humidity : 8 to 95% RH, non-condensing

Meter Features (WS Switched PDU)

- Local Display : Field replaceable 2.8" color LCD with touchscreen
- Bank Measurement : Current (A), Energy (kWh), Voltage (V) & Power factor
- Outlet Control : Outlet Switch ON / OFF
- Accuracy : ±1% Billing-grade
- IP Access : via IP dongle, one IP Access up to 16 PDU Levels
- Cascade : Up to 16 PDU under single IP address via IP dongle
- SNMP : V2 / V3 via IP dongle
- Sensor Port x 2 : Temp. Sensor / Temp. + Humid. Sensor

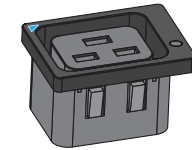
- EMC Compliance : CE / EMC certified
- Safety Compliance : CE / LVD certified
- Environment Compliance : RoHS2 & REACH

Lockable IEC Outlet

- Patented design for InfraPower PDU



C13 Outlet



C19 Outlet

Lockable IEC Cable

- Patented design of InfraPower PDU
- Low cost, easy to lock & secure
- Proprietary for lockable IEC outlet
- Applicable to standard IEC outlet
- 6 colors & 3 lengths available
- Custom color & length on request
- VDE & ENEC approval

C13 - C14

H05VV-F 3G 0.75mm²

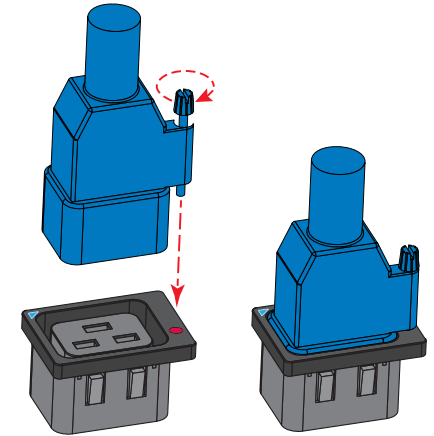
| Cable Color | 0.5M | 1M | 2M |
|-------------|------|----|----|
| Black | ✓ | ✓ | ✓ |
| Grey | ✓ | ✓ | ✓ |
| Red | ✓ | ✓ | ✓ |
| Blue | ✓ | ✓ | ✓ |
| Green | ✓ | ✓ | ✓ |
| Orange | ✓ | ✓ | ✓ |



C19 - C20

H05VV-F 3G 1.5mm²

| Cable Color | 1M | 2M |
|-------------|----|----|
| Black | ✓ | ✓ |
| Grey | ✓ | ✓ |
| Red | ✓ | ✓ |
| Blue | ✓ | ✓ |
| Green | ✓ | ✓ |
| Orange | ✓ | ✓ |



C13 - C14

lockable cable

C19 - C20

- ✓ low cost
- ✓ easy to lock
- ✓ secure

