



2U Multi-display Console Drawer



Key Benefits

- ▶ 2U 22" short depth design
- ▶ Light weight only 46.2 lbs / 21 kgs
- ▶ Rugged construction for mobility & durability
- ▶ Built-in solid bearing slide rails
- ▶ Built-in dual stereo speaker (per display)
- ▶ Five LED backlit display selections (4K, WUXGA, FHD 60Hz, FHD 144Hz, 4:3)
- ▶ DVI-D + VGA video input for FHD & 4:3 (per display)
- ▶ HDMI 1.4 + DVI-D + VGA for WUXGA (per display)
- ▶ Display port 1.2 video input for 4K (per display)
- ▶ 104-key keyboard with either touchpad or trackball (PS2 / USB)
- ▶ Fits 24" ~ 36" rack via adjustable mounting brackets
- ▶ 2-year standard warranty (upgradable up to 5 years)



Options

- DC power : 12V / 24V / 48V / 125V
- 3G / HD / SD-SDI Broadcast-grade input
- Sunlight readable LCD for 17" FHD & 19" 4:3
- Touchscreen for
- Front USB hub port for device access
- HDMI video input
- MAC or SUN Micro keyboard
- USB keyboard & mouse selector

The MRK 2U dual or triple display console drawer is designed for Command and Control Systems which demand quick deployment of side by side displays.

2U 22" depth platform allows for small size and transit case portability. To ensure chassis ruggedness, mobility and quality, as well as being suitable for harsh environment applications, the MRK drawer is meticulously constructed by a team of experts in our own CNC facilities for such applications.

The key benefit of the MRK series is the choice of different resolution panels including 4K 17", WUXGA 16.2", FHD 17" 60Hz, FHD 17" 144Hz, 19" 4:3 LED backlit displays. Sunlight Readable FHD 17" LCD is also available. 4K 17" displays satisfy the increasing demands for higher graphical and text requirements. A solid 104 key keyboard is integrated with either touchpad or trackball.

Models

LH mounted



RH mounted



17"



MRK-K17-2L

MRK-K17-3

MRK-K17-2R

17"



MRK-F17-2L

MRK-F17-3

MRK-F17-2R

17"



MRK-MF17-2L

MRK-MF17-3

MRK-MF17-2R

16.2"



MRK-X17-2L

MRK-X17-3

MRK-X17-2R

19"



MRK-19-2L

MRK-19-3

MRK-19-2R

Product Specifications

LCD Panel	MRK-K17	MRK-MF17	MRK-F17	MRK-X17	MRK-19
Native resolution	3840 x 2160@60Hz	1920 x 1080	1920 x 1080	1920 x 1200	1280 x 1024
Panel size (diagonal)	17.3"	17.3"	17.3"	16.2"	19"
Refresh rate (Hz)	60	144	60	60	60 / 75
Standard Brightness (cd/m ²)	300	300	300	300	250
High Brightness (cd/m ²) - Option	/	/	1000	/	1000
Contrast ratio (typ.)	1000 : 1	800 : 1	1000 : 1	800 : 1	1000 : 1
Colors	16.7 M, 8-bit	16.7 M	16.7 M, 8-bit	16.7 M, 8-bit	16.7 M
Viewing angle (L/R/U/D)	89/89/89/89	85/85/85/85	89/89/89/89	89/89/89/89	85/85/80/80
Response time (ms)	Max. 16	9	25	30	5
Dot pitch (mm)	0.0995	0.1989	0.1989	0.191	0.294
Display area (mm)	382.12H x 214.94V	381.888H x 214.812V	381.888H x 214.812V	383.8H x 214.9V	337.92H x 270.33V
Surface treatment	Anti-glare	Anti-glare	Anti-glare, Hard-coating	Anti-glare, Hard-coating	Haze 25%, Hard-coating
Surface hardness	3H				
Backlight type	LED				
MTBF (hrs)	20,000	15,000	15,000	20,000	30,000

Video	MRK-K17	MRK-MF17	MRK-F17	MRK-X17	MRK-19
Package	DP 1.2 / HDCP 1.3	DVI-D + VGA		DVI-D + VGA	DVI-D + VGA
Option	HDMI 2.0 / HDCP 2.2	HDMI 1.4 / HDCP 1.4 or DP 1.0 / HDCP 1.3		HDMI 1.4 / HDCP 1.4	HDMI 1.2 / HDCP 1.1

Capacitive Touch screen Option

	MRK-K17	MRK-MF17	MRK-F17	MRK-X17	MRK-19
Technology	Projected Capacitive				Capacitive
Touch Point	10 point touch standard				Single
Input Type	Finger or Capacitive Stylus				Finger
Resolution	4096 x 4096				2048 x 2048
Touch Point Accuracy	± 2 mm				-
Response Speed	< 5 ms				20 ms
Activation Force	< 5 g				≤ 50 g
Surface Hardness	6H				9H
Light Transmission	> 85%				92% ± 2%
Haze	3%↓				7%
Durability	50 million touches				300 million touches
Top Layer	1.8 mm Glass				Glass
Bottom Layer	0.7 mm Sensor Glass				
Thickness	2.7 mm ± 0.1 mm				2.8 mm ± 10%
Connector	USB				USB Type A
Compatibility	Windows 7 / XP / Linux / Mac				

Resistive Touch screen Option

	MRK-K17	MRK-MF17	MRK-F17	MRK-X17	MRK-19
Technology	5-Wire Resistive				
Touch Point	Single				
Input Type	Finger or Stylus				
Resolution	2048 x 2048				
Response Speed	15 ms				
Activation Force	≤ 50 g				
Surface Hardness	3H				
Light Transmission	80% ± 3%				
Haze	8% ± 3%				
Durability	10 million touches				
Top Layer	ITO Film				
Bottom Layer	ITO Glass				
Thickness	3.2 ± 0.2 mm		2.2 ± 0.2 mm	3.2 ± 0.2 mm	2.2 ± 0.2 mm
Connector	USB Type A				
Compatibility	Windows 7 / XP / Linux / Mac				

Product Specifications

Power		MRK-K17	MRK-MF17	MRK-F17	MRK-X17	MRK-19
Input		Auto-sensing 100 to 240VAC, 50 / 60Hz				
Consumption per panel	Screen on	Max. 21W	Max. 14W	Max. 14W	Max. 25W	Max. 22W
	Power saving	Max. 2W				
	Power button off	Max. 1W				

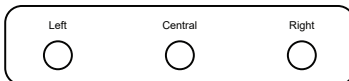
Physical			
Product (W x D x H)	MRK-K17 / MRK-X17 / MRK-F17 / MRK-MF17	mm inch	441.6 x 550 x 88 17.4 x 21.7 x 3.5
	MRK-19	mm inch	441.6 x 600 x 88 22.8 x 23.6 x 7.8
Packing (W x D x H)		mm inch	580 x 683 x 197 22.8 x 26.9 x 7.8
Net Weight	MRK-K17 / MRK-X17 / MRK-F17 / MRK-MF17	Triple display Dual display	25.7 kg / 56.5 lb 21 kg / 46.2 lb
	MRK-19	Triple display Dual display	26.7 kg / 58.7 lb 22 kg / 48.4 lb
Gross Weight	MRK-K17 / MRK-X17 / MRK-F17 / MRK-MF17	Triple display Dual display	31.1 kg / 68.4 lb 26 kg / 57.2 lb
	MRK-19	Triple display Dual display	32.1 kg / 70.6 lb 27 kg / 59.4 lb
Chassis color		Dark	
Chassis materials		Steel	

* All dimensions stated are subject to change if options are selected / integrated to base model part codes

Compliance	
EMC	FCC & CE certified
Safety	CE / LVD certified
Environment	RoHS3 & REACH compliant

Environment	
Operating temp.	0 to 55°C degree
Storage temp.	-20 to 60°C degree
Operating humidity	20~90%, non-condensing
Storage humidity	5 ~90%, non-condensing
Operating altitude	16,000 ft
Non-operating altitude	40,000 ft
Shock	10G acceleration (11ms duration)
Vibration	10~300Hz 0.5G RMS random vibration

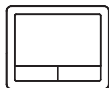
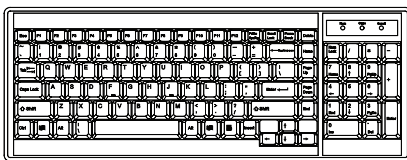
USB Keyboard & Mouse Selector



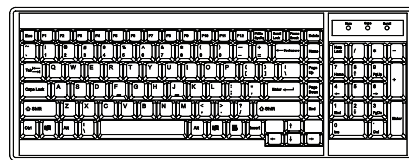
- Enables 2 or 3 computers to share keyboard & mouse.
- Easily switch to any of your connected computers with the press of a button

Standard Keyboard

Ge G keyboard integrated with touchpad



Gb G keyboard integrated with trackball



Supporting layouts

America  United States

EMEA  United Kingdom  Germany  France  Spain  Italy

Asia  Japan  Korea

Keyboard Options

* US layout only

Me Mac keyboard with touchpad



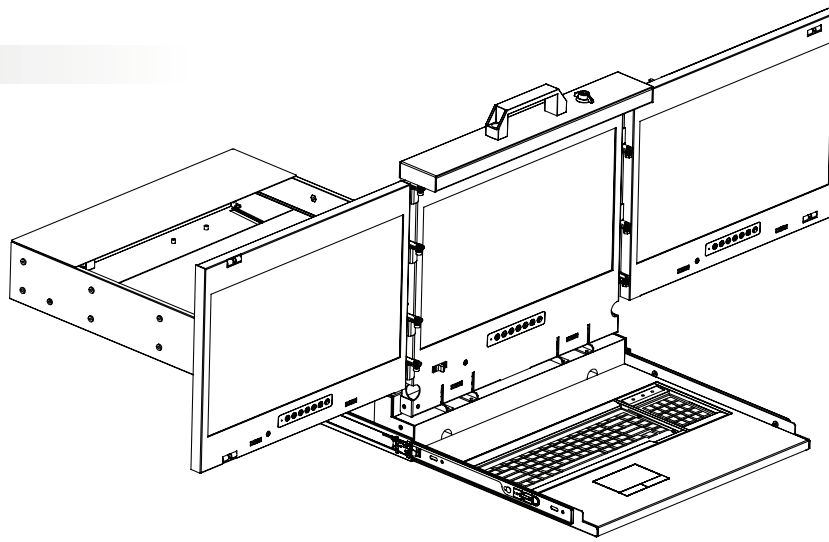
Mb Mac keyboard with trackball

Se S keyboard with touchpad

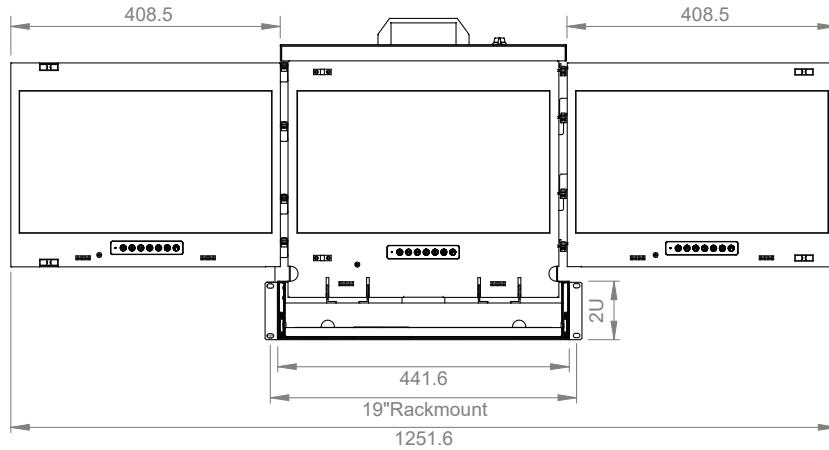
Sb S keyboard with trackball



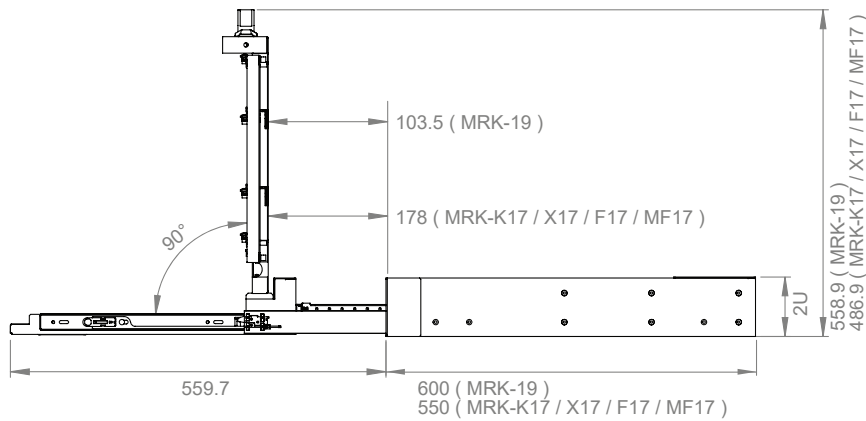
Diagrams (mm)



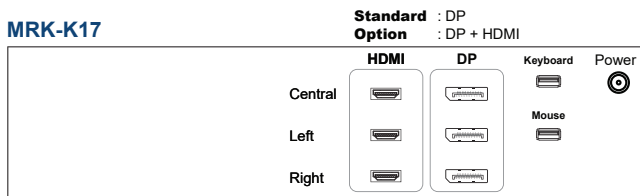
Front View



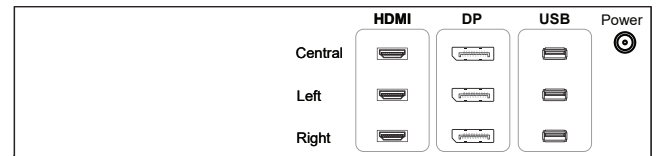
Side View



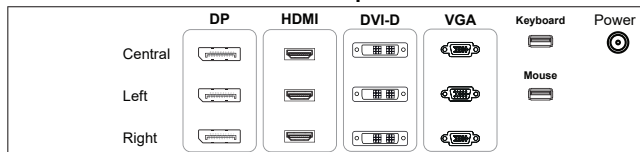
Rear View



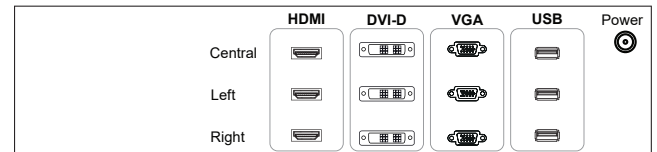
Add-on USB Selector



MRK-F17 / MRK-MF17



Add-on USB Selector



MRK-X17 / MRK-19

