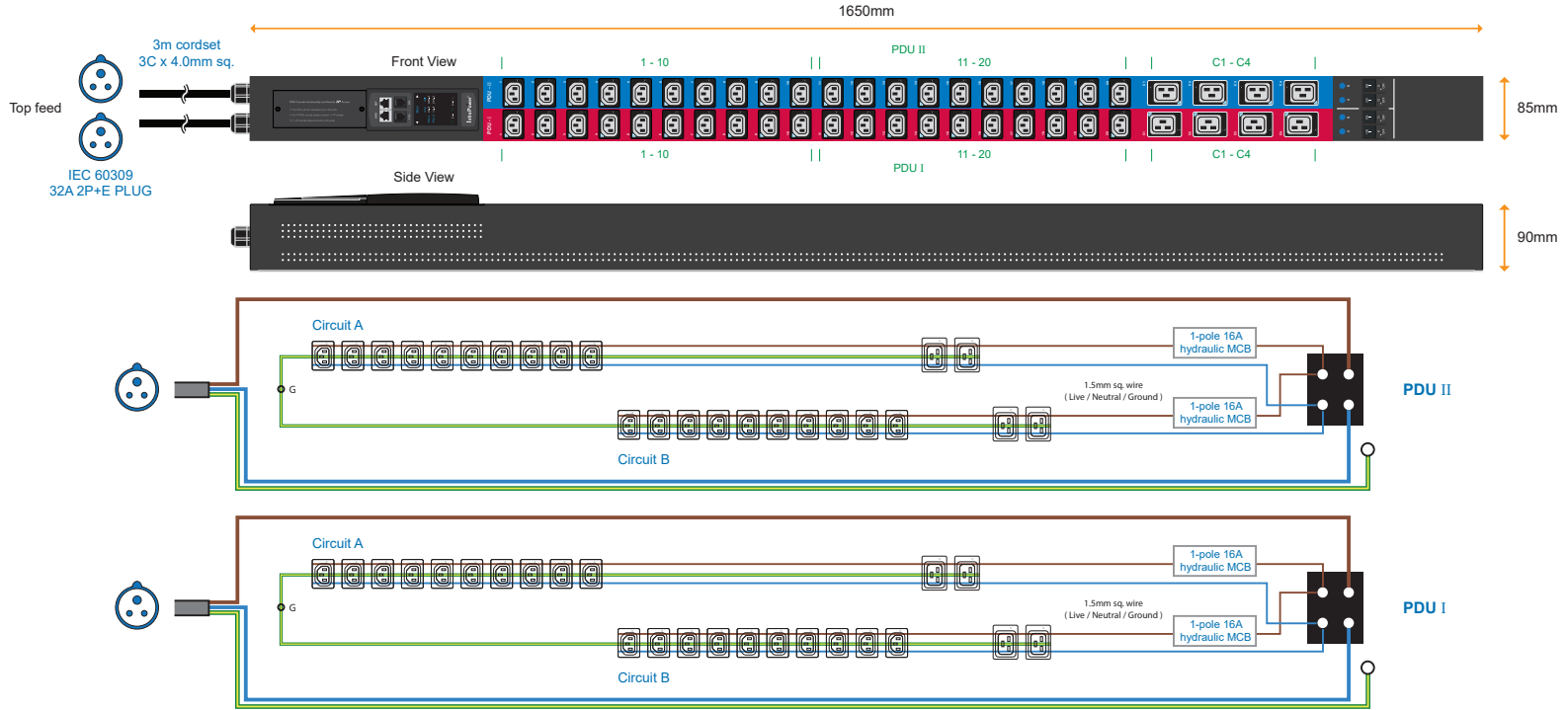


1-Phase 230V 32A switched + outlet measurement dual feed PDU drawing & specification

Model : DV40C13/8C19-32A-WSi/CR_EN/3T-1



Single phase switched + outlet measurement PDU

- Input Rating : 32A, 230V
- Outlet : 10A Rated C13 x 40
16A Rated C19 x 8
- Inlet : 32A IEC60309 2P+E plug x 2
- Cordset : 3 meter 4.0mm sq. H05V V-F cordset x 2
- Protection : 16A single pole hydraulic MCB x 4
- Circuit Details : < PDU I - Circuit A > Output 16A max. C 13 #1-10 + C 19 #C1-C2
< PDU I - Circuit B > Output 16A max. C 13 #11-20 + C 19 #C3-C4
< PDU II - Circuit A > Output 16A max. C 13 #1-10 + C 19 #C1-C2
< PDU II - Circuit B > Output 16A max. C 13 #11-20 + C 19 #C3-C4

Meter Features (WSi Switched PDU + Outlet Measurement)

- Local Display : Field replaceable 2.8" color LCD with touchscreen
- Bank Measurement : Current (A), Energy (kWh), Voltage (V) & Power factor
- Outlet Measurement : Current (A), Energy (kWh)
- Outlet Control : Outlet Switch ON / OFF
- Accuracy : ±1% Billing-grade
- IP Access : via IP dongle, one IP Access up to 32 PDU Levels
- Cascade : Up to 32 PDU under single IP address via IP dongle
- SNMP : V2 / V3 via IP dongle
- Sensor Port x 2 : Temp. Sensor / Temp. + Humid. Sensor

IP dongle (option)

- Dual LAN Network Failover
- 10/100 Ethernet & Gigabit Ethernet standard
- Enterprise IP Authentication, LDAPv3 / LDAPS, Active Directory®, RADIUS protocol

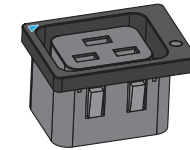
EMC Compliance	: CE / EMC
Safety Compliance	: CE / LVD & UKCA Tested to EN 62368-1:2014 / A11:2017 standard Tested to EN 60730-1:2016 / A1:2019 standard
Environment Compliance	: RoHS3 & REACH
Operating Temperature	: -5 to 60 °C
Storage Temperature	: -25 to 65 °C
Operating Altitude	: 0 to 2,000 m
Storage Altitude	: 0 to 15,000 m
Humidity	: 8 to 95% RH, non-condensing
Dimension	: 85 (W) x 90 (D) x 1650 (H) mm
Material	: Steel
Color	: PDU I - Red / PDU II - Blue (outlet bracket) Black (chassis)

Lockable IEC Outlet

- Patented design for InfraPower PDU



C13 Outlet



C19 Outlet

Lockable IEC Cable

- Patented design of InfraPower PDU
- Low cost, easy to lock & secure
- Proprietary for lockable IEC outlet
- Applicable to standard IEC outlet
- 6 colors & 3 lengths available
- Custom color & length on request
- VDE & ENEC approval

C13 - C14

H05VV-F 3G 0.75mm²

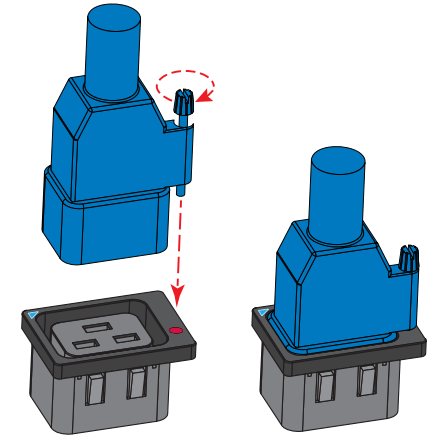
Cable Color	0.5M	1M	2M
Black	✓	✓	✓
Grey	✓	✓	✓
Red	✓	✓	✓
Blue	✓	✓	✓
Green	✓	✓	✓
Orange	✓	✓	✓



C19 - C20

H05VV-F 3G 1.5mm²

Cable Color	1M	2M
Black	✓	✓
Grey	✓	✓
Red	✓	✓
Blue	✓	✓
Green	✓	✓
Orange	✓	✓



C13 - C14



lockable cable

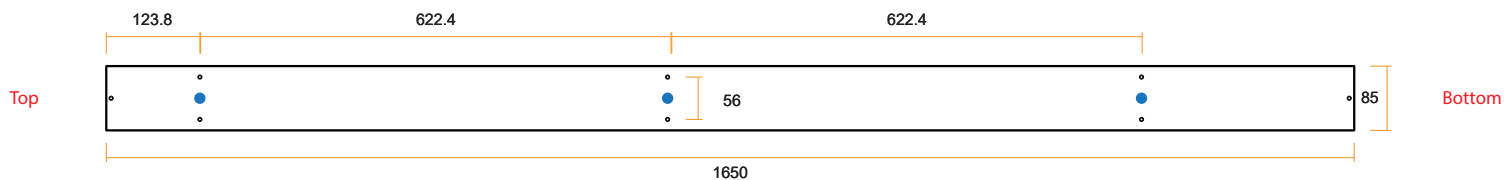
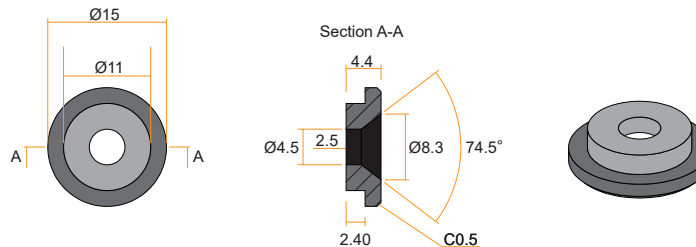
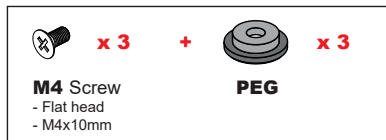
- ✓ low cost
- ✓ easy to lock
- ✓ secure



C19 - C20



VMS Mounting Button



VMB Mounting Bracket

