



Receiver



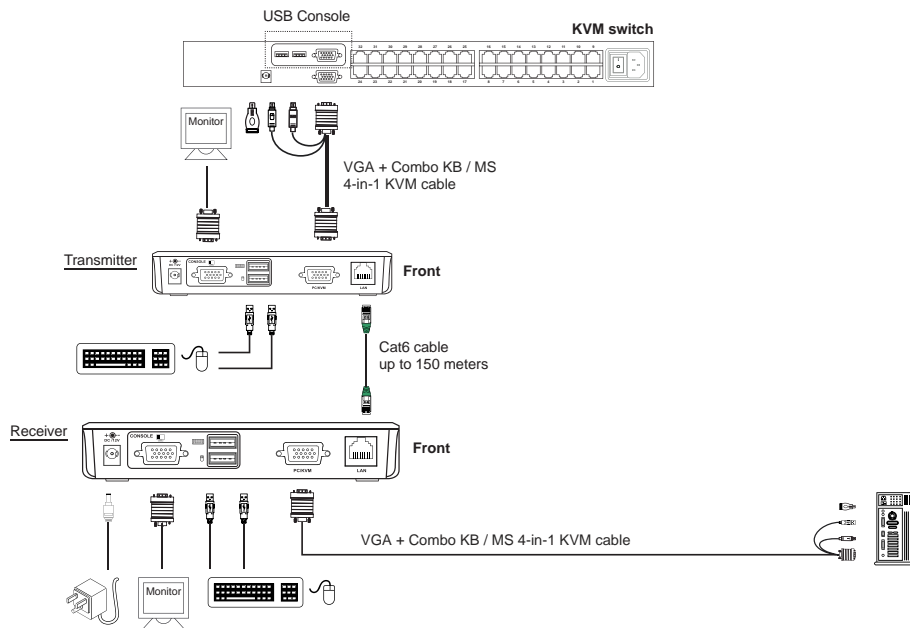
Transmitter

CV-S101 Benefits

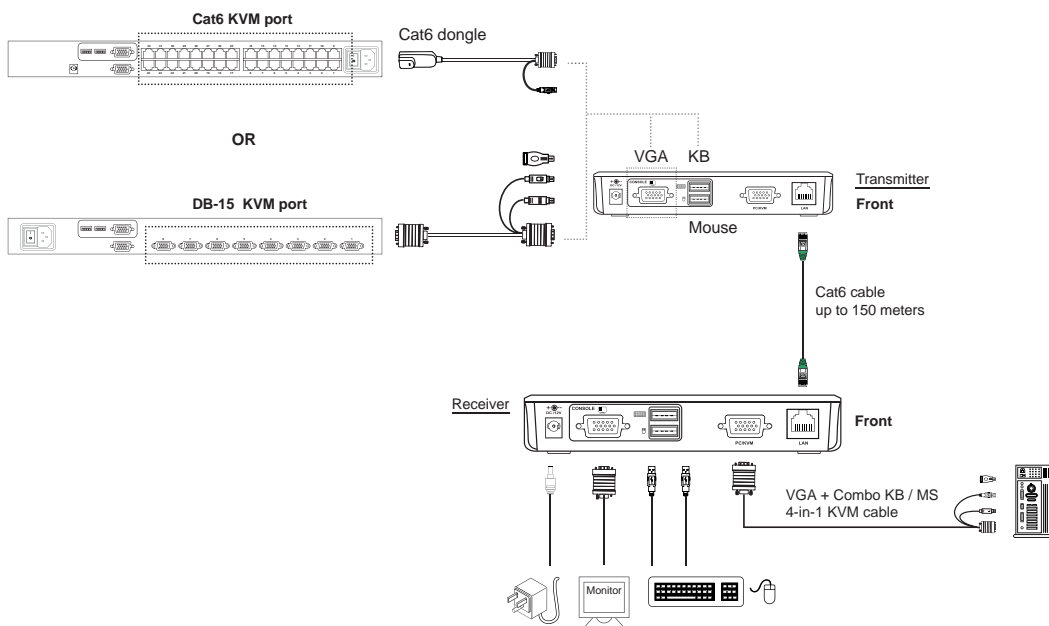
- Remote console up to 150M
- Dual user access at remote site
- Pure hardware solution makes network independent
- No software required



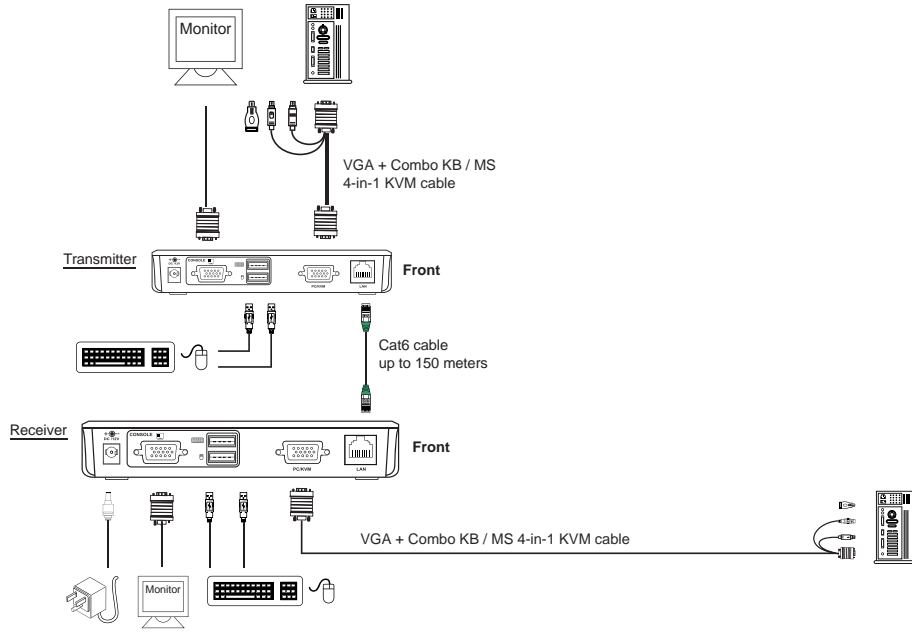
Application < I > - Extending the KVM console port to 150 meters



Application < II > - Extending the computer to KVM port to 150 meters



Application < III > - Extending the computer up to 150 meters



Product Specifications

Transmitter	
Console port	1 x DB-15 VGA, up to 1920 x 1440 2 x USB connector for KB & mouse
Remote I/O	1 x RJ-45, connect the Receiver, Resolution : 16:9 - (1920 x 1080) Max. 50 meters 16:10 - (1920 x 1200) Max. 50 meters 16:10 - (1440 x 900) Max. 100 meters 4:3 - (1600 x 1200) Max. 100 meters 4:3 - (1280 x 1024) Max. 150 meters
Local computer	1 x DB-15 combo KVM port
LED	Power (blue) On line (green)
Power input	Optional 12V power adapter or from attached local computer

Receiver	
Console port	1 x DB-15 VGA, up to 1920 x 1440 2 x USB connector for KB & mouse
Remote I/O	1 x RJ-45, connect the Transmitter, Resolution : 16:9 - (1920 x 1080) Max. 50 meters 16:10 - (1920 x 1200) Max. 50 meters 16:10 - (1440 x 900) Max. 100 meters 4:3 - (1600 x 1200) Max. 100 meters 4:3 - (1280 x 1024) Max. 150 meters
Local computer	1 x DB-15 combo KVM port
LED	Local (green / red) Remote (green / red)
Power input	12V power adapter

Power	
Consumption	Max. 9W

Compliance	
Safety	FCC & CE certified
Environment	RoHS2 compliant

Physical		
Product (W x D x H)		165 x 85 x 32 mm 6.5 x 3.3 x 1.3 inch
	Packing (W x D x H)	317 x 210 x 107 mm 12.5 x 8.3 x 4.2 inch
Net weight	Transmitter	200 g
	Receiver	200 g
Gross weight		1.25 kg

Environment	
Operating temp.	0 to 55°C degree
Storage temp.	-20 to 60°C degree
Operating humidity	20~90%, non-condensing
Storage humidity	5 ~90%, non-condensing
Operating altitude	16,000 ft
Non-operating altitude	40,000 ft
Shock	10G acceleration (11ms duration)
Vibration	5~500Hz 1G RMS random vibration