

### Single phase switched PDU

Input Rating : 20A, 230V  
Outlet : 10A Rated C13 x 18  
          16A Rated C19 x 2  
Inlet : 20A open end  
Cordset : 3 meter 2.5mm sq. H05V V-F cordset  
Protection : 20A single pole hydraulic MCB x 1  
Circuit Details : Output 20A max. C 13 # 1-18 + C 19 # C 1 - C 2

### Meter Features ( WS Switched PDU )

Local Display : Field replaceable 2.8" color LCD with touchscreen  
Bank Measurement : Voltage ( V ), Current ( A ), energy ( kWh ) & power factor  
Outlet Control : Outlet Switch ON / OFF  
Accuracy : ±1% Billing-grade  
IP Access : via IP dongle, one IP Access up to 32 PDU Levels  
Cascade : Up to 32 PDU under single IP address via IP dongle  
SNMP : V2 / V3 via IP dongle  
Sensor Port x 2 : Temp. Sensor / Temp. + Humid. Sensor

### IP dongle ( option )

- Dual LAN Network Failover
- 10/100 Ethernet & Gigabit Ethernet standard
- Enterprise IP Authentication, LDAPv3 / LDAPS, Active Directory®, RADIUS protocol

EMC Compliance : CE / EMC  
Safety Compliance : CE / LVD & UKCA  
                          Tested to EN 62368-1:2014 / A11:2017 standard  
                          Tested to EN 60730-1:2016 / A1:2019 standard  
Environment Compliance : RoHS3 & REACH  
Operating Temperature : -5 to 60 °C  
Storage Temperature : -25 to 65 °C  
Operating Altitude : 0 to 2,000 m  
Storage Altitude : 0 to 15,000 m  
Humidity : 8 to 95% RH, non-condensing

Material : Steel  
Color : Black

Product Dimension : 54 (W) x 80 (D) x 1350 (H) mm  
Net Weight : 5.7 kg

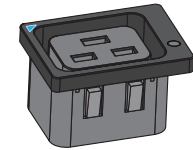
Packing dimension ( for 2 PDUs ) : 110 (W) x 268 (D) x 1793 (H) mm  
PDU gross weight ( for 2 PDUs ) : 11.4 kg

## Lockable IEC Outlet

- Patented design for InfraPower PDU



C13 Outlet



C19 Outlet

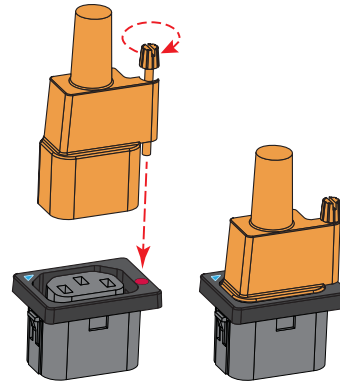
## Lockable IEC Cable

- Patented design of InfraPower PDU
- Low cost, easy to lock & secure
- Proprietary for lockable IEC outlet
- Applicable to standard IEC outlet
- 6 colors & 3 lengths available
- Custom color & length on request
- VDE & ENEC approval

### C13 - C14

H05VV-F 3G 0.75mm<sup>2</sup>

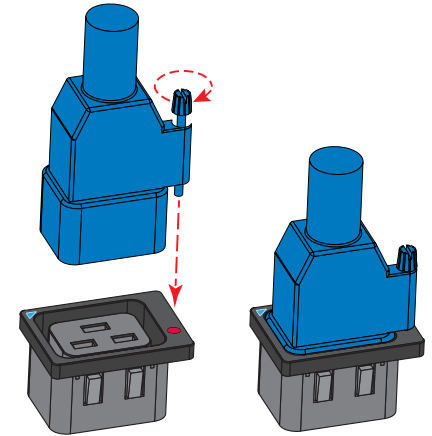
Cable Color	0.5M	1M	2M
Black	✓	✓	✓
Grey	✓	✓	✓
Red	✓	✓	✓
Blue	✓	✓	✓
Green	✓	✓	✓
Orange	✓	✓	✓



### C19 - C20

H05VV-F 3G 1.5mm<sup>2</sup>

Cable Color	1M	2M
Black	✓	✓
Grey	✓	✓
Red	✓	✓
Blue	✓	✓
Green	✓	✓
Orange	✓	✓

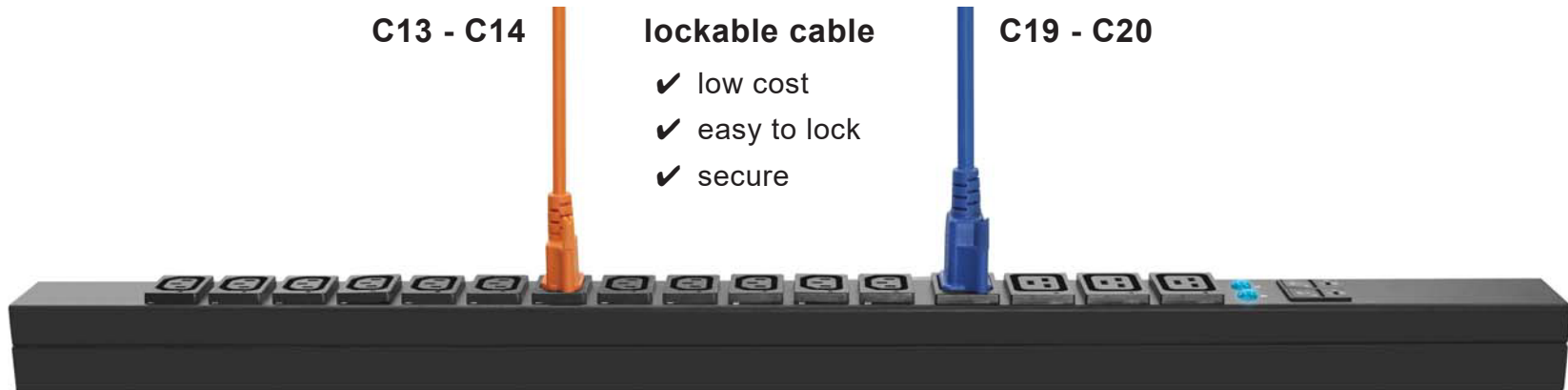


C13 - C14

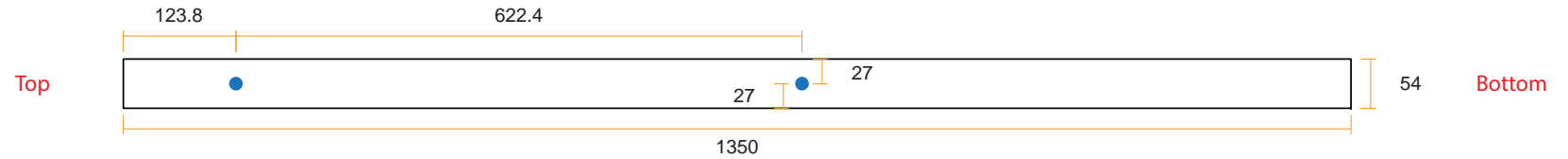
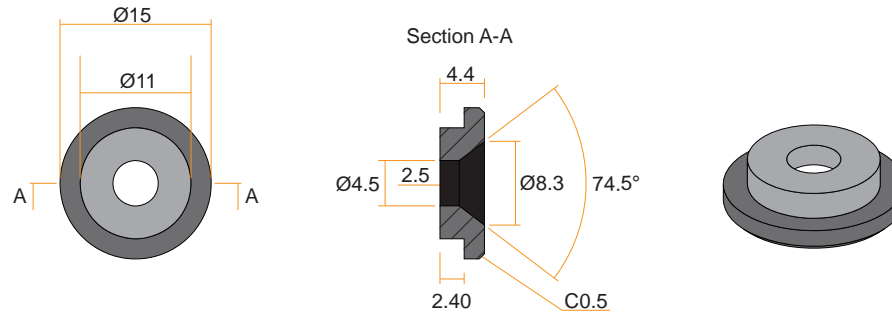
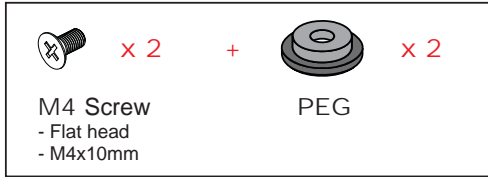
lockable cable

C19 - C20

- ✓ low cost
- ✓ easy to lock
- ✓ secure



### VMS Mounting Button



### VMB Mounting Bracket

