

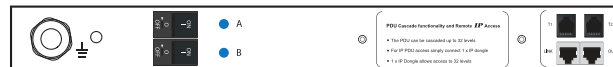
Front view



Rear view



Resettable fuse



MCB

Circuit Protection	Code
Fuse	F
MCB	CR



IEC 60309 Inlet

32A model :	Circuit Protection
H10C13-32A-WS/ F _EN/3B-1	Resettable Fuse x 2
H10C13-32A-WS/ CR _EN/3B-1	1-pole MCB x 2

Input Rating : 32Amp, 230V
Cordset : 3 meter 4.0mm sq. H05V V-F cordset
Protection : 16A resettable fuse or 16A hydraulic MCB x 2
Circuit A : Output 16A max., C13 #1-5
Circuit B : Output 16A max., C13 #6-10
Weight : Net 6.10 Kg / Gross 6.60 Kg



Open end

20A model :	Circuit Protection
H10C13-20A-WS/ F _OE/3B-1	Resettable Fuse x 1
H10C13-20A-WS/ CR _OE/3B-1	1-pole MCB x 1

Input Rating : 20Amp, 230V
Cordset : 3 meter 2.5mm sq. H05V V-F cordset
Protection : 20A resettable fuse or 20A hydraulic MCB x 1
Circuit : Output 20A max., C13 #1-10
Weight : Net 5.33 Kg / Gross 5.83 Kg

Chassis Color	Code
Black	1
White	2
Red	3
Blue	4
Green	5
Orange	6
Yellow	7
Purple	8

Standard color : Black



IEC 60309 Inlet

16A model :	Circuit Protection
H10C13-16A-WS/ F _EN/3B-1	Resettable Fuse x 1
H10C13-16A-WS/ CR _EN/3B-1	1-pole MCB x 1

Input Rating : 16Amp, 230V
Cordset : 3 meter 1.5mm sq. H05V V-F cordset
Protection : 16A resettable fuse or 16A hydraulic MCB x 1
Circuit : Output 16A max., C13 #1-10
Weight : Net 5.26 Kg / Gross 5.76 Kg



IEC320 C20

16A model :	Circuit Protection
H10C13-16A-WS/ F _C20/3B-1	Resettable Fuse x 1
H10C13-16A-WS/ CR _C20/3B-1	1-pole MCB x 1

Input Rating : 16Amp, 230V
Cordset : 3 meter 1.5mm sq. H05V V-F cordset
Protection : 16A resettable fuse or 16A hydraulic MCB x 1
Circuit : Output 16A max., C13 #1-10
Weight : Net 5.19 Kg / Gross 5.69 Kg



IEC320 C14

10A model :	Circuit Protection
H10C13-10A-WS/ F _C14/3B-1	Resettable Fuse x 1
H10C13-10A-WS/ CR _C14/3B-1	1-pole MCB x 1

Input Rating : 10Amp, 230V
Cordset : 3 meter 1.5mm sq. H05V V-F cordset
Protection : 10A resettable fuse or 10A hydraulic MCB x 1
Circuit : Output 10A max., C13 #1-10
Weight : Net 5.2 Kg / Gross 5.7 Kg

Operating Temperature : -5 to 60 °C
Storage Temperature : -25 to 65 °C
Operating Altitude : 0 to 2,000 m
Storage Altitude : 0 to 15,000 m
Humidity : 8 to 95% RH, non-condensing

Meter Features (WS Switched PDU)

Local Display : Field replaceable 2.0" color LCD with touchscreen
Bank Measurement : Voltage (V), Current (A), energy (kWh) & power factor
Outlet Control : Outlet Switch ON / OFF
Accuracy : ±1% Billing-grade
IP Access : via IP dongle, one IP Access up to 32 PDU Levels
Cascade : Up to 32 PDU under single IP address via IP dongle
SNMP : V2 / V3 via IP dongle
Sensor Port x 2 : Temp. Sensor / Temp. + Humid. Sensor

IP dongle (option)

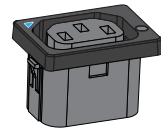
- Dual LAN Network Failover
- 10/100 Ethernet & Gigabit Ethernet standard
- Enterprise IP Authentication, LDAPv3 / LDAPS, Active Directory®, RADIUS protocol

EMC Compliance : CE / EMC
Safety Compliance : Tested to EN 62368-1:2014 / A1:2017 standard
Tested to EN 60730-1:2016 / A1:2019 standard
Environment Compliance : RoHS3 & REACH

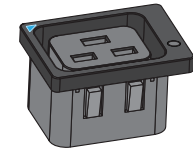
Product Dimension : 437.5 (W) x 270 (D) x 44.5 (H) mm
Packing dimension : 520 (W) x 380 (D) x 80 (H) mm

Lockable IEC Outlet

- Patented design for InfraPower PDU



C13 Outlet



C19 Outlet

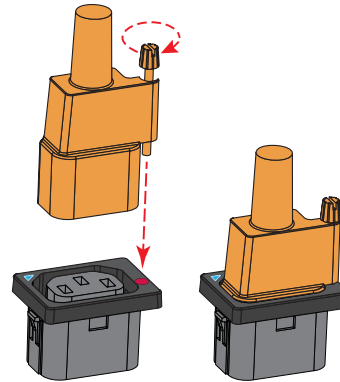
Lockable IEC Cable

- Patented design of InfraPower PDU
- Low cost, easy to lock & secure
- Proprietary for lockable IEC outlet
- Applicable to standard IEC outlet
- 6 colors & 3 lengths available
- Custom color & length on request
- VDE & ENEC approval

C13 - C14

H05VV-F 3G 0.75mm²

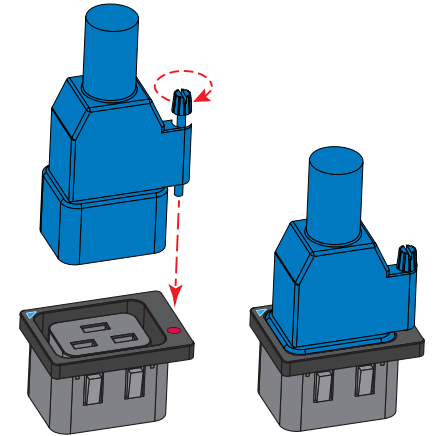
Cable Color	0.5M	1M	2M
Black	✓	✓	✓
Grey	✓	✓	✓
Red	✓	✓	✓
Blue	✓	✓	✓
Green	✓	✓	✓
Orange	✓	✓	✓



C19 - C20

H05VV-F 3G 1.5mm²

Cable Color	1M	2M
Black	✓	✓
Grey	✓	✓
Red	✓	✓
Blue	✓	✓
Green	✓	✓
Orange	✓	✓



C13 - C14

lockable cable

C19 - C20

- ✓ low cost
- ✓ easy to lock
- ✓ secure

