

Circuit Protection	Code
Fuse	F
MCB	CR



32A model :	Circuit Protection
V36C13/6C19-32A-Wi/ F_EN/3B-1	Resettable Fuse x 2
V36C13/6C19-32A-Wi/ CR_EN/3T-1	1-pole MCB x 2

Input Rating : 32Amp, 230V
 Cordset : 3 meter 4.0mm sq. H05V V-F cordset
 Protection : 16A resettable fuse or 16A hydraulic MCB x 2
 Circuit A : Output 16A max., C13 #1-35 + C19 #C1-C5 (odd)
 Circuit B : Output 16A max., C13 #2-36 + C19 #C2-C6 (even)
 Weight : Net 10.15 Kg / Gross 12.08 Kg

PDU Feed	Code
Bottom	B
Top	T



20A model :	Circuit Protection
V36C13/6C19-20A-Wi/ F_OE/3B-1	Resettable Fuse x 1
V36C13/6C19-20A-Wi/ CR_OE/3T-1	1-pole MCB x 1

Input Rating : 20Amp, 230V
 Cordset : 3 meter 2.5mm sq. H05V V-F cordset
 Protection : 20A resettable fuse or 20A hydraulic MCB x 1
 Circuit : Output 20A max., C13 #1-36 + C19 #C1-C6
 Weight : Net 9.39 Kg / Gross 11.32 Kg

Chassis Color	Code
Black	1
White	2
Red	3
Blue	4
Green	5
Orange	6
Yellow	7
Purple	8



16A model :	Circuit Protection
V36C13/6C19-16A-Wi/ F_EN/3B-1	Resettable Fuse x 1
V36C13/6C19-16A-Wi/ CR_EN/3T-1	1-pole MCB x 1

Input Rating : 16Amp, 230V
 Cordset : 3 meter 1.5mm sq. H05V V-F cordset
 Protection : 16A resettable fuse or 16A hydraulic MCB x 1
 Circuit : Output 16A max., C13 #1-36 + C19 #C1-C6
 Weight : Net 9.32 Kg / Gross 11.25 Kg



16A model :	Circuit Protection
V36C13/6C19-16A-Wi/ F_C20/3B-1	Resettable Fuse x 1
V36C13/6C19-16A-Wi/ CR_C20/3T-1	1-pole MCB x 1

Input Rating : 16Amp, 230V
 Cordset : 3 meter 1.5mm sq. H05V V-F cordset
 Protection : 16A resettable fuse or 16A hydraulic MCB x 1
 Circuit : Output 16A max., C13 #1-36 + C19 #C1-C6
 Weight : Net 9.24 Kg / Gross 11.17 Kg

Standard color : Black

Operating Temperature : -5 to 60 °C
 Storage Temperature : -25 to 65 °C
 Operating Altitude : 0 to 2,000 m
 Storage Altitude : 0 to 15,000 m
 Humidity : 8 to 95% RH, non-condensing

Meter Features (Wi monitored PDU + Outlet Measurement)

Local Display : Field replaceable 2.8" color LCD with touchscreen
 Bank Measurement : Current (A), Energy (kWh), Voltage (V) & Power factor
 Outlet Measurement : Current (A), Energy (kWh)
 Accuracy : ±1% Billing-grade
 IP Access : via IP dongle, one IP Access up to 32 PDU Levels
 Cascade : Up to 32 PDU under single IP address via IP dongle
 SNMP : V2 / V3 via IP dongle
 Sensor Port x 2 : Temp. Sensor / Temp. + Humid. Sensor

IP dongle (option)

- Dual LAN Network Failover
 - 10/100 Ethernet & Gigabit Ethernet standard
 - Enterprise IP Authentication, LDAPv3 / LDAPS, Active Directory®, RADIUS protocol

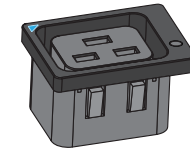
EMC Compliance : CE / EMC
 Safety Compliance : Tested to EN 62368-1:2014 / A11:2017 standard
 Tested to EN 60730-1:2016 / A1:2019 standard
 Environment Compliance : RoHS3 & REACH

Lockable IEC Outlet

- Patented design for InfraPower PDU



C13 Outlet



C19 Outlet

Lockable IEC Cable

- Patented design of InfraPower PDU
- Low cost, easy to lock & secure
- Proprietary for lockable IEC outlet
- Applicable to standard IEC outlet
- 6 colors & 3 lengths available
- Custom color & length on request
- VDE & ENEC approval

C13 - C14

H05VV-F 3G 0.75mm²

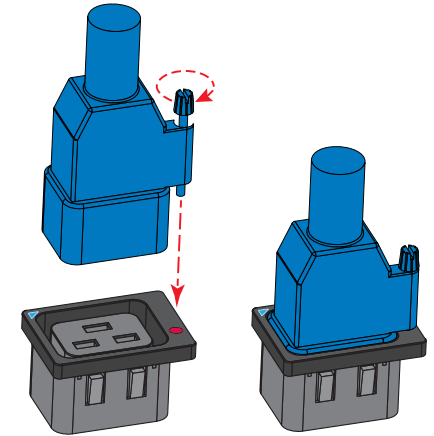
Cable Color	0.5M	1M	2M
Black	✓	✓	✓
Grey	✓	✓	✓
Red	✓	✓	✓
Blue	✓	✓	✓
Green	✓	✓	✓
Orange	✓	✓	✓



C19 - C20

H05VV-F 3G 1.5mm²

Cable Color	1M	2M
Black	✓	✓
Grey	✓	✓
Red	✓	✓
Blue	✓	✓
Green	✓	✓
Orange	✓	✓

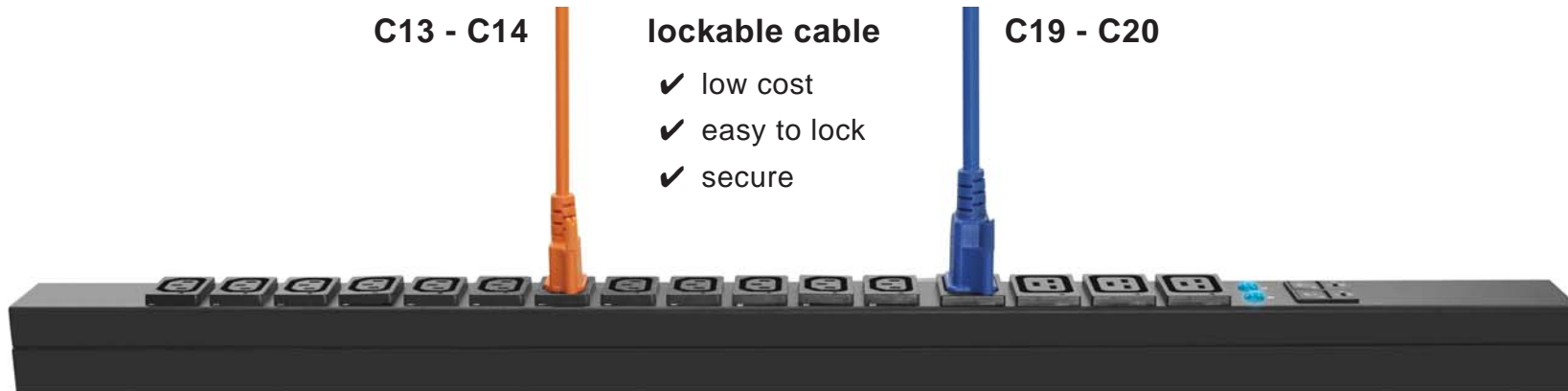


C13 - C14

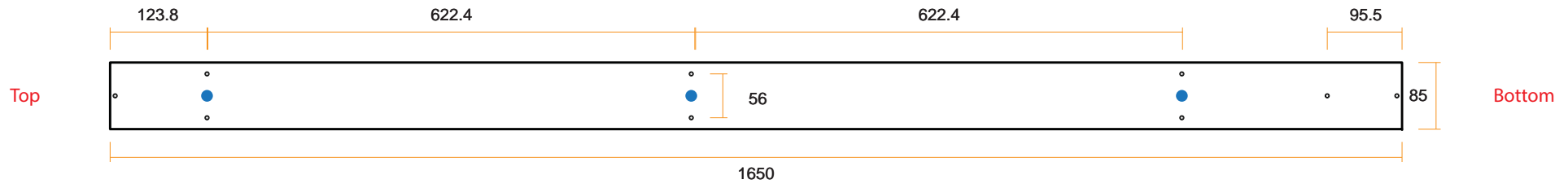
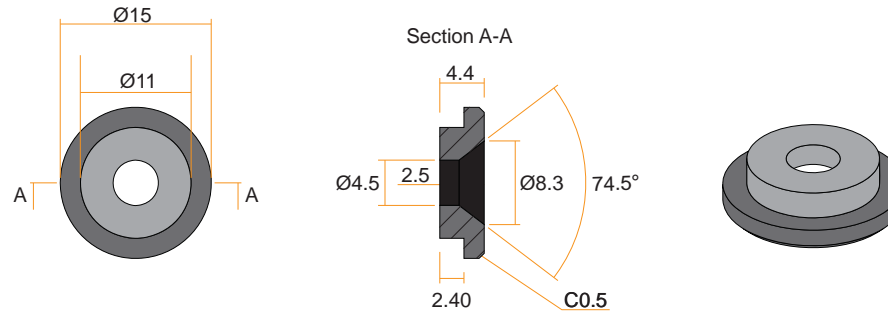
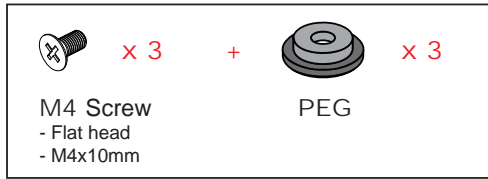
lockable cable

C19 - C20

- ✓ low cost
- ✓ easy to lock
- ✓ secure



VMS Mounting Button



VMB Mounting Bracket

