

3x1 Dual Monitor USB-C&HDMI KVM Switch Docking Station

KD-E30



User Manual



Table of Contents

Introduction	2
Overview.....	2
Features.....	2
Package Contents.....	3
Panel.....	4
Front Panel.....	4
Rear Panel.....	5
Application	7
Charging	8
Specifications	9
Warranty	11

Introduction

Overview

KD-E30 is a 3x1 USB-C & HDMI KVM switch docking station that allows three different input devices to share two HDMI displays and multiple USB peripherals. It supports one USB-C input and two sets of dual-channel HDMI + USB-B inputs, along with two HDMI outputs. Each HDMI input and output supports resolutions up to 4K@60Hz (4:4:4, 8bit) and is HDCP 2.2 compliant.

The USB-C input supports DP MST mode, enabling dual 4K@60Hz video output. It also supports USB data transmission at up to 5Gbps and provides a wired LAN connection for the connected laptop. Additionally, the device features a dedicated USB-C charging port that supports up to 100W power delivery for laptop charging.

The switcher also allows seamless sharing of USB peripherals among all three connected inputs and supports direct switching via buttons on the front panel. It provides a wide compatibility choice for different operating systems, such as Windows, Mac OS and Linux, no driver required and simple plug and play.

Features

- 3x1 USB-C&HDMI KVM Switcher:
 - One full-functional USB-C 3.2 input, which can be extended to two HDMI outputs and supports USB data transmission.
 - Each HDMI input group support two independent HDMI input channels, which can be connected to two HDMI output ports of the PC and extended to two external monitors.
 - Each monitor has independent channel, which can support different resolution.
- USB-C input supports DP MST mode with dual 4K@60Hz outputs. HDMI inputs support output 4K@60Hz resolution. Both USB-C and HDMI

inputs support high refresh rate such as 2560x1440@144Hz, 1080P@240Hz / 165 Hz / 144 Hz / 120Hz.

- USB-C input supports USB docking function:
 - It can provide wired network connection for the laptop USB-C port connected.
 - The device is equipped with a dedicated charging port that can provide up to 100W power delivery to charge the connected laptop (when an external USB-C power adapter is connected).
- Multiple Peripherals interfaces:
 - Two super high-speed USB 3.0 type-A ports.
 - One super high-speed USB 3.0 type-C port.
 - Three USB 2.0 type-A ports.
 - Provides independent headset (3.5mm headset) port.
- Supports USB 3.0 data transmission with the speed up to 5Gbps.
- Supports automatic wake-up function – automatically wake up the PC in standby mode when switching.
- Supports basic switching operations via front panel buttons.
- Fast switching time of 2-3s, based on the virtual interaction function.
- Supports firmware upgrade via USB type-B Host port in Desktop 2 group.

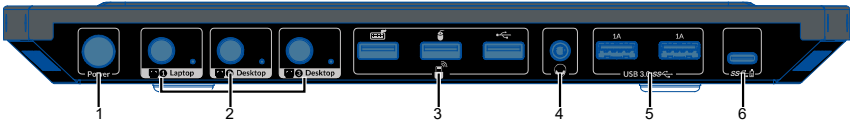
Package Contents

Before you start the installation of the product, please check the package contents:

- KVM Switch Docking Station x 1
- Power Adapter (DC 12V/3A) x 1
- USB 3.0 Type-A to Type-B Cable x 2
- USB 3.2 Type-C to Type-C Cable x 1
- User Manual x 1

Panel

Front Panel



No.	Name	Description
1	Power Button	Press to power on/off the device. When the device is powered on, the backlight of the button will light blue.
2	Switch Buttons and LEDs (1~3)	<p>Switch Buttons: Press to select input / input group among Laptop 1 / Desktop 2 and Desktop 3.</p> <p>LEDs (1~3):</p> <ul style="list-style-type: none"> On: Select the corresponding input / input group as input source. Off: The corresponding input / input group is not selected.
3	USB	USB 2.0 type-A ports. Connect to a USB device such as keyboard, mouse.
4	Headset	3.5mm TRRS headset jack. Connect to a headset with microphone. The headset switching follows the USB-C input port / USB Host port selected and need to select "AV Access iDock" on the connected host device.
5	USB 3.0	USB 3.0 type-A ports, can be used to connect to USB 3.0 high-speed device for KVM function.
6	USB 3.0 Type-C	USB 3.0 type-C port. Connect to USB device with USB-C port. The port is used to transmit USB data only, and outputs 1.5A current.

Rear Panel



No.	Name	Description
1	12V	Connect to the power adapter provided.
2	Monitor A & B	Connect to HDMI displays.
3	Desktop 3	<p>HDMI In3A & HDMI In3B: Connect to two HDMI output ports of PC respectively. HDMI In3A and HDMI In3B can be seen as a group, hereinafter referred to as group 3 in this manual.</p> <p>USB Host3: Connect to a host device. USB Host3 is bound with group 3. When select group 3 as sources to input, the USB devices can be connected to the host PC connected to USB Host3 port.</p>
4	Desktop 2	<p>HDMI In2A & HDMI In2B: Connect to two HDMI output ports of PC respectively. HDMI In2A and HDMI In2B can be seen as a group, hereinafter referred to as group 2 in this manual.</p> <p>USB Host2: Connect to a host device. USB Host2 is bound with group 2. When select group 2 as sources to input, the USB devices can be connected to the host PC connected to USB Host2 port. This port is also can be used for firmware upgrade.</p>
5	Laptop 1	<p>USB-C In: USB 3.2 type-C port. Supports PD 2.0 specification, maximum 5Gbps data rate.</p> <p>Please use the following cable: USB type-C to type-C cable (USB 3.2 Gen 1 or above).</p>

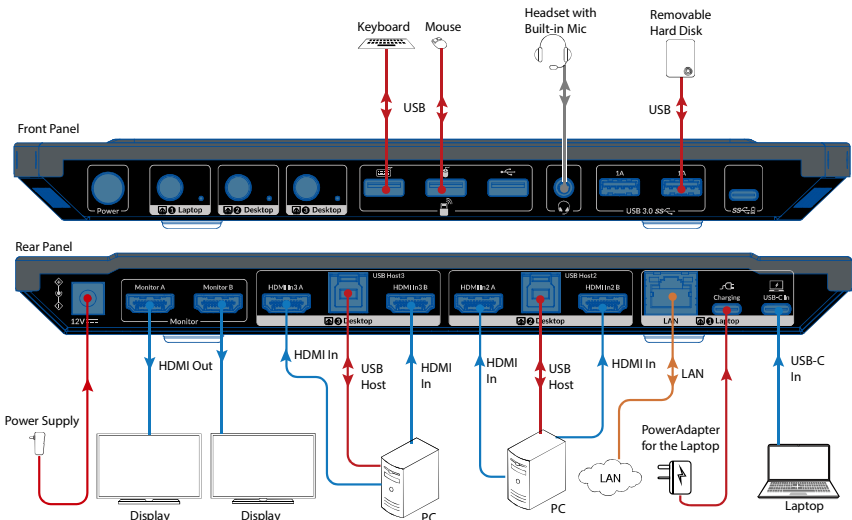
No.	Name	Description
		<p>Connect to a USB type-C device such as a laptop. It supports the following functions:</p> <ul style="list-style-type: none"> • For transmitting video signal as an input source, USB-C In1 port supports DP MST mode, and can output two videos (two 4K@60Hz maximum) at the same time, users can switch to input 1 to select USB-C In1 as input source for two HDMI outputs; <p>Note: The laptop connected needs to support DP 1.4a standard and support MST output of its USB-C port to enable the two 4K@60Hz outputs.</p> <ul style="list-style-type: none"> • For transmitting USB data as a host port, when select USB-C In as input source, the USB devices can be connected to the laptop connected with USB-C In port; • The port has a built-in 1G network adapter function. The LAN port can provide Internet access for the connected USB-C laptop through this port. <p>Charging: Special port for charging. Connect an additional USB-C power adapter (up to 100W) to charge the laptop connected to USB-C In port.</p> <p>Note:</p> <ul style="list-style-type: none"> • This port can only charge the laptop, not power the switcher. • It is recommended to use the USB-C power adapter that comes with the laptop, or an adapter of equivalent power. <p>LAN: Connect to a local area network for network connection of the source connected with USB-C</p>

No.	Name	Description
		In port.

Application

Warnings:

- Before wiring, disconnect the power from all devices.
- During wiring, connect and disconnect the cables gently.



When switch input source to Laptop1, Desktop 1, Desktop 2 or Desktop 3:

- The connected USB devices and headset (ensure the laptop selects "AV Access iDock" as the audio output) can be connected to USB-C In, USB Host2 or USB Host3.
- When switch to Laptop1, the displays connected to Monitor A and Monitor B will output different video from USB-C In (supports DP MST) respectively. When switch to Desktop 2/3, the displays connected to Monitor A and Monitor B will output video from HDMI In 2A/3A and HDMI In 2B/3B respectively.
- When charging the connected laptop through USB-C In port in Laptop 1, users need to connect an external power source (up to 100W) through

the Charging port in Laptop 1 group.

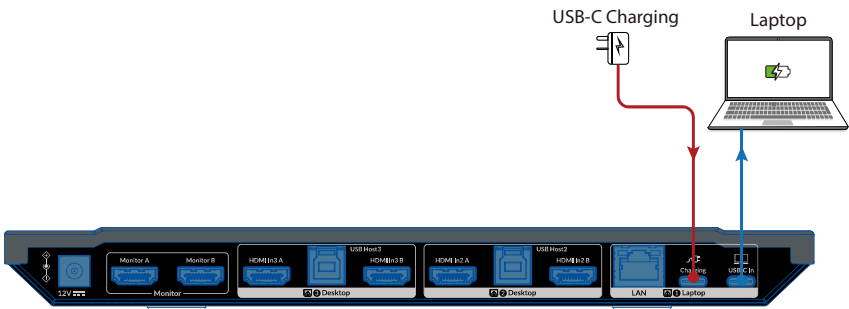
Note: Regardless of whether USB-C In is selected as the input source, the laptop connected to this port can always access the network connected to the LAN port in Laptop 1 group.

Charging

This KVM switcher provides an additional USB-C charging port for the USB-C In port. This port can be connected to any USB-C charger (not included) to charge the laptop connected to the USB-C In port.

This port supports a maximum charging power of 100W.

It is recommended to connect the USB-C charger that comes with the laptop or a charger with equivalent specifications (power).



Note:

- The adapter connected to the Charging port will only charge the laptop connected to the USB-C In port, and will not provide power to the KVM switcher. The KVM switcher must be connected to the power adapter in the accessories.
- Using a low-power USB-C charger will cause the laptop to display a warning message. Please use an adapter with the specifications required by the laptop.

Specifications

Technical	
Input & Output Ports	1 x USB-C In (USB 3.2 Gen 1); 1 x Charging (USB Type-C, for Laptop only); 4 x HDMI In; 2 x USB Host (USB 3.0 Type-B Host Ports); 2 x HDMI Out; 1 x LAN; 3 x USB 3.0 Device (2 x USB 3.0 Type-A Port + 1 x USB 3.0 Type-C Port); 3 x USB 2.0 Device (USB 2.0 Type-A Ports); 1 x Headset; 1 x DC 12V/3A
Input/Output Signals	USB-C Input: USB 3.2, supports DP MST mode, can output two videos (resolutions up to 4K@60Hz 4:4:4 8bit) at the same time HDMI Input/Output: HDMI 2.0 with resolutions up to 4K@60Hz 4:4:4 8bit / 4K@60 4:2:0 12bit with HDCP 2.2 compatibility
Input/Output Resolution Supported	SMPTE: 1280x720P ^{1,2,3,4,5,6,7,8} , 1920x1080I ^{6,8} , 1920x1080P ^{1,2,3,4,5,6,7,8,9,10,11,12} , 2560x1080 ⁹ , 3840x1080 ⁹ , 3840x2160 ^{2,3,5,6,8} , 4096x2160 ^{2,3,5,6,8} , VESA: 800x600 ⁸ , 1024x768 ⁸ , 1280x768 ⁸ , 1280x800 ⁸ , 1280x960 ⁸ , 1280x1024 ⁸ , 1360x768 ⁸ , 1366x768 ⁸ , 1400x1050 ⁸ , 1440x900 ⁸ , 1600x900 ⁸ , 1600x1200 ⁸ , 1680x1050 ⁸ , 1920x1200 ⁸ , 2560x1440 ^{1,2,3,4,5,6,7,8,9,10} , 1 = at 23.98 Hz, 2 = at 24 Hz, 3 = at 25 Hz, 4 = at 29.97 Hz, 5 = at 30 Hz, 6 = at 50 Hz, 7 = at 59.94 Hz, 8 = at 60 Hz, 9 = 120Hz, 10 = 144Hz, 11 = 165Hz, 12 = 240Hz
HDR Format Supported	All HDR formats, including HDR 10, HLG, HDR 10+ and Dolby Vision
USB Device	3 x USB 2.0 type-A ports (front panel): each supports a maximum data transfer rate of 480 Mbps, and all three ports share 5V/1.8A; 1 x USB 3.0 type-C port (front panel): supports a maximum data transfer rate and 5V/1.5A power output; 2 x USB 3.0 type-A ports (front panel): each supports a maximum data transfer rate of 5Gbps, and the two ports share 5 V/2A
Audio Format Supported	HDMI: Fully supports audio formats in HDMI 2.0 specification, including PCM 2.0/5.1/7.1, Dolby TrueHD,

Technical	
	Dolby Atmos, DTS-HD Master Audio, and DTS:X Headset: Stereo
Max Data Rate	HDMI: Up to 18Gbps USB-C In: 10Gbps/lane
Control Method	Front panel buttons

General	
Operating Temperature	0°C to + 45°C (32 to + 113 °F)
Storage Temperature	-20 to +70°C (-4 to + 158 °F)
Humidity	20% to 90%, non-condensing
Power Consumption	6.5W (No USB load) 34W (Full USB load)
Device Dimensions (W x H x D)	269.6mm x 27.5mm x 142.6mm/ 10.61" x 1.08" x 5.61"
Product Weight	0.92kg/2.03lbs

Transmission Distance

Cable Type	Range	Supported Video
HDMI	Input/Output: 7.5m/25ft (passive cable) 15m/50ft (active cable)	1080P@60Hz 24bpp 4K@30Hz 4:4:4 24bpp
	Input/Output: 5m/16ft	4K@60Hz 4:4:4 24bpp
USB-C	Input: 1m/3.3ft (USB 3.2 Gen 1 or above)	4K@60Hz 4:4:4 24bpp

Warranty

Products are backed by a limited 1-year parts and labor warranty. For the following cases AV Access shall charge for the service(s) claimed for the product if the product is still remediable and the warranty card becomes unenforceable or inapplicable.

1. The original serial number (specified by AV Access) labeled on the product has been removed, erased, replaced, defaced or is illegible.
2. The warranty has expired.
3. The defects are caused by the fact that the product is repaired, dismantled or altered by anyone that is not from an AV Access authorized service partner. The defects are caused by the fact that the product is used or handled improperly, roughly or not as instructed in the applicable User Guide.
4. The defects are caused by any force majeure including but not limited to accidents, fire, earthquake, lightning, tsunami and war.
5. The service, configuration and gifts promised by salesman only but not covered by normal contract.
6. AV Access preserves the right for interpretation of these cases above and to make changes to them at any time without notice.

Thank you for choosing products from AV Access.

If you have any question, please contact us via the following emails:

General Enquiry: info@avaccess.com

Customer/Technical Support: support@avaccess.com

