

User Manual 17" / 19" LCD



RKP117 / RKP119

1U LCD Console Drawer

Options :

- AV / DVI-D / HDMI / Audio
- Full Range KVM
- DC power



Designed and manufactured by Austin Hughes

751

Legal Information

First English printing, October 2002

Information in this document has been carefully checked for accuracy; however, no guarantee is given to the correctness of the contents. The information in this document is subject to change without notice. We are not liable for any injury or loss that results from the use of this equipment.

Safety Instructions

Please read all of these instructions carefully before you use the device. Save this manual for future reference.

- Unplug equipment before cleaning. Don't use liquid or spray detergent; use a moist cloth.
- Keep equipment away from excessive humidity and heat. Preferably, keep it in an air-conditioned environment with temperatures not exceeding 40° Celsius (104° Fahrenheit).
- When installing, place the equipment on a sturdy, level surface to prevent it from accidentally falling and causing damage to other equipment or injury to persons nearby.
- When the equipment is in an open position, do not cover, block or in any way obstruct the gap between it and the power supply. Proper air convection is necessary to keep it from overheating.
- Arrange the equipment's power cord in such a way that others won't trip or fall over it.
- If you are using a power cord that didn't ship with the equipment, ensure that it is rated for the voltage and current labeled on the equipment's electrical ratings label. The voltage rating on the cord should be higher than the one listed on the equipment's ratings label.
- Observe all precautions and warnings attached to the equipment.
- If you don't intend on using the equipment for a long time, disconnect it from the power outlet to prevent being damaged by transient over-voltage.
- Keep all liquids away from the equipment to minimize the risk of accidental spillage. Liquid spilled on to the power supply or on other hardware may cause damage, fire or electrical shock.
- Only qualified service personnel should open the chassis. Opening it yourself could damage the equipment and invalidate its warranty.
- If any part of the equipment becomes damaged or stops functioning, have it checked by qualified service personnel.

What the warranty does not cover

- Any product, on which the serial number has been defaced, modified or removed.
- Damage, deterioration or malfunction resulting from:
 - Accident, misuse, neglect, fire, water, lightning, or other acts of nature, unauthorized product modification, or failure to follow instructions supplied with the product.
 - Repair or attempted repair by anyone not authorized by us.
 - Any damage of the product due to shipment.
 - Removal or installation of the product.
 - Causes external to the product, such as electric power fluctuation or failure.
 - Use of supplies or parts not meeting our specifications.
 - Normal wear and tear.
 - Any other causes which does not relate to a product defect.
- Removal, installation, and set-up service charges.

Regulatory Notices Federal Communications Commission (FCC)

This equipment has been tested and found to comply with the limits for a Class B digital device, pursuant to Part 15 of the FCC rules. These limits are designed to provide reasonable protection against harmful interference in a residential installation.

Any changes or modifications made to this equipment may void the user's authority to operate this equipment. This equipment generates, uses, and can radiate radio frequency energy and, if not installed and used in accordance with the instructions, may cause harmful interference to radio communications.

However, there is no guarantee that interference will not occur in a particular installation. If this equipment does cause harmful interference to radio or television reception, which can be determined by turning the equipment off and on, the user is encouraged to try to correct the interference by one or more of the following measures:

- Re-position or relocate the receiving antenna.
- Increase the separation between the equipment and receiver.
- Connect the equipment into an outlet on a circuit different from that to which the receiver is connected.

Contents

< Part. 1 > RKP117 / RKP119

| | | |
|-----|-------------------------------|---------|
| 1.1 | Package Content | P.1 |
| 1.2 | Structure Diagram & Dimension | P.1 - 2 |
| 1.3 | Installation | P.3 - 5 |
| 1.4 | Connection | P.6 |

< Part. 2 > Specifications / OSD

| | | |
|-----|-------------------------------------|-----------|
| 2.1 | Product Specifications | P.7 - 8 |
| 2.2 | Keyboard / Mouse Specifications | P.9 |
| 2.3 | On-screen Display Operation (OSD) | P.10 - 11 |



< Part. 3 > Options

| | | |
|-----|------------------------------------|------|
| 3.1 | HDMI, DVI-D, S-Video + BNC & Audio | P.12 |
| 3.2 | 48V, 24V or 12VDC power | P.13 |



Contents

< Part. 4 > KVM Integration



www.austin-hughes.com/support/usermanual/cyberview/UM-CV-MUKVM-KIT.pdf

| Matrix Cat6 KVM  | Local | Remote |  | 8-port | 16-port | 32-port |
|--|-------|--------|---|--------|-----------|-----------|
| | 1 | 1 | 1 | - | -MUIP1613 | -MUIP3213 |
| | 1 | 1 | 2 | - | -MUIP1624 | -MUIP3224 |
| | 1 | 1 | 0 | - | -MU1602 | -MU3202 |
| | 1 | 2 | 0 | - | -MU1603 | -MU3203 |
| | 1 | 3 | 0 | - | -MU1604 | -MU3204 |



www.austin-hughes.com/support/usermanual/cyberview/UM-CV-UKVM-KIT.pdf

| Combo Cat6 KVM  | Local | Remote |  | 8-port | 16-port | 32-port |
|---|-------|--------|---|---------|----------|----------|
| | 1 | 0 | 1 | -UIP802 | -UIP1602 | -UIP3202 |
| | 1 | 1 | 0 | -U802 | -U1602 | -U3202 |
| | 1 | 0 | 0 | -U801 | -U1601 | -U3201 |



www.austin-hughes.com/support/usermanual/cyberview/UM-CV-MKVM-KIT.pdf

| Matrix DB-15 KVM  | Local | Remote |  | 8-port | 16-port | 32-port |
|--|-------|--------|--|---------|----------|---------|
| | 1 | 1 | 1 | -MIP813 | -MIP1613 | - |
| | 1 | 1 | 2 | -MIP824 | -MIP1624 | - |
| | 1 | 1 | 0 | -M802 | -M1602 | - |
| | 1 | 2 | 0 | -M803 | -M1603 | - |
| 1 | 3 | 0 | -M804 | -M1604 | - | |



www.austin-hughes.com/support/usermanual/cyberview/UM-CV-SKVM-KIT.pdf

| Combo DB-15 KVM  | Local | Remote |  | 8-port | 16-port | 32-port |
|--|-------|--------|---|--------|---------|---------|
| | 1 | 0 | 1 | -IP802 | -IP1602 | - |
| | 1 | 1 | 0 | -802 | -1602 | - |
| | 1 | 0 | 0 | -S801 | -S1601 | - |



www.austin-hughes.com/support/usermanual/cyberview/UM-CV-DVIKVM-KIT.pdf

| DVI-D KVM  | Local | Remote |  | 12-port | - | - |
|--|-------|--------|---|---------|--------|---|
| | 1 | 0 | 0 | - | -1201D | - |

www.austin-hughes.com/support/usermanual/cyberview/UM-CV-USBKVM-KIT.pdf

| USB Hub DB-15 KVM  | Local | Remote |  | 8-port | 16-port | 32-port |
|--|-------|--------|---|---------|----------|---------|
| | 1 | 0 | 1 | -IP802H | -IP1602H | - |
| | 1 | 1 | 0 | -802H | -1602H | - |
| 1 | 0 | 0 | -801H | -1601H | - | |

www.austin-hughes.com/support/usermanual/cyberview/UM-CV-PS2KVM-KIT.pdf

| PS/2 DB-15 KVM  | Local | Remote |  | 8-port | - | - |
|---|-------|--------|---|--------|------|---|
| | 1 | 0 | 0 | - | -801 | - |

Before Installation

- It is very important to mount the equipment in a suitable cabinet or on a stable surface.
- Make sure the place has a good ventilation, is out of direct sunlight, away from sources of excessive dust, dirt, heat, water, moisture and vibration.

Unpacking

The equipment comes with the standard parts shown in package content. Check and make sure they are included and in good condition. If anything is missing, or damaged, contact the supplier immediately.

How To Clean Your LCD Monitor



Caution :

- To avoid the risk of electric shock, make sure your hands are dry before unplugging your monitor from or plugging your monitor into an electrical outlet.
- When you clean your monitor, do not press down on the LCD screen. Pressing down on the screen can scratch or damage your display. Pressure damage is not covered under warranty.
- Use only cleansers made specifically for cleaning monitors and monitor screens. Cleansers not made to clean monitors and monitor screens can scratch the LCD display or strip off the finish.
- Do not spray any kind of liquid directly onto the screen or case of your monitor. Spraying liquids directly onto the screen or case can cause damage which is not covered under warranty.
- Do not use paper towels or abrasive pads to clean your monitor. Using an abrasive pad or any wood based paper product such as paper towels can scratch your LCD screen.

Cleaning Your Monitor

To clean your LCD safely, please follow these steps :

- ① Disconnect the power cord.
- ② Gently wipe the surface using a clean, dry microfiber cloth. Use as little pressure as possible.

Cleaning Tough Marks and Smudges

To remove tough marks and smudges, please follow these steps :

- ① Disconnect the power cord.
- ② Spray a small amount of non-abrasive cleanser on a microfiber cloth.



Caution : Do not spray or apply any liquids directly onto the monitor. Always apply the solution to your microfiber cloth first, not directly on the parts you are cleaning.

- ③ Gently wipe the surface. Use as little pressure as possible.
- ④ Wait until your monitor is completely dry before plugging it in and powering it up.

< Part 1 >

< 1.1 > Package Content



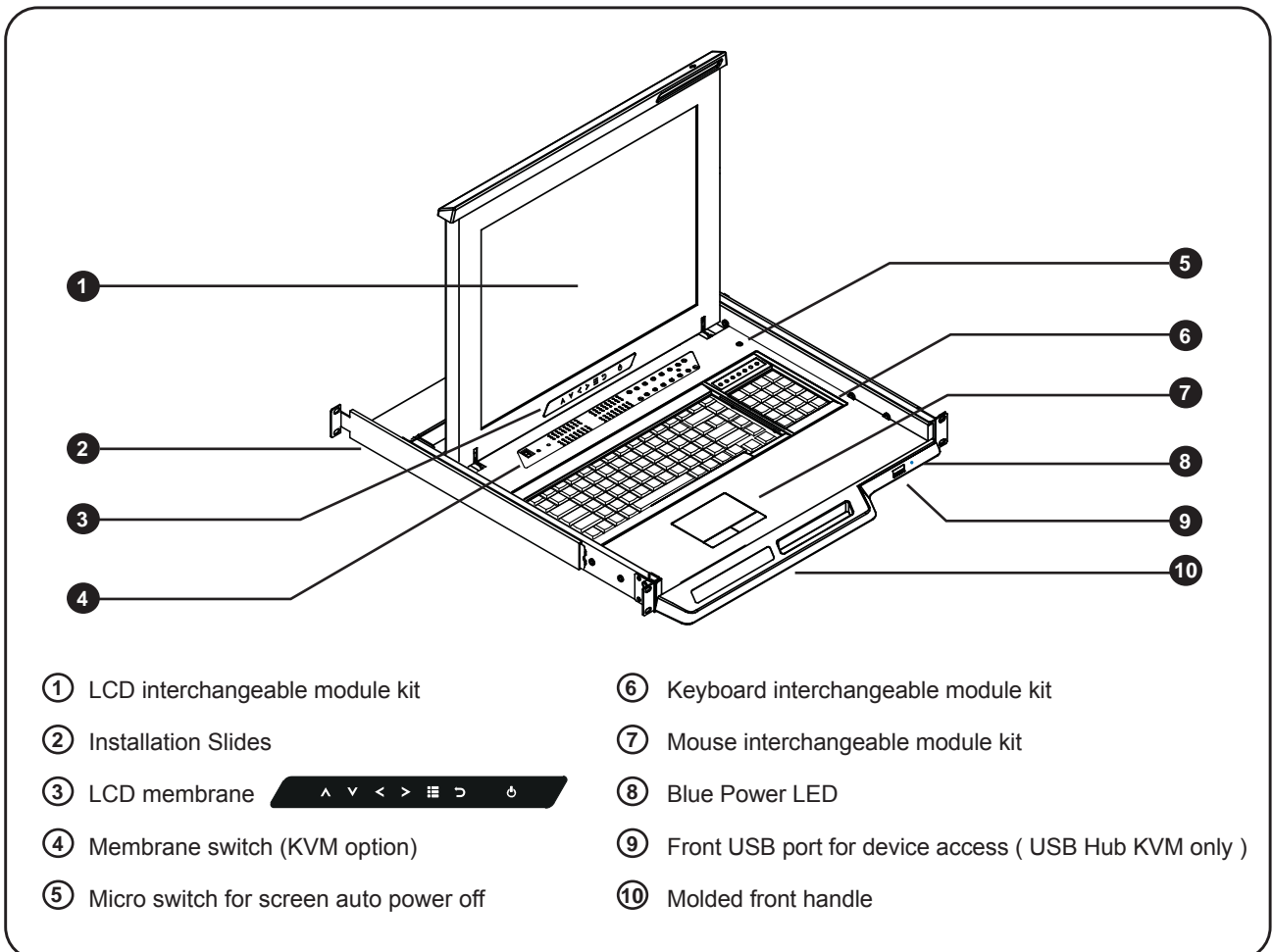
RKP117 or RKP119 unit X 1

- CE-6 6ft Combo KVM cable X 1
- Power cord X 1
- M6 screw, cage nut & cup washer X 8



The above package content is only for the single console models. It varies with options such as KVM, HDMI, DVI-D, AV, audio & DC power.

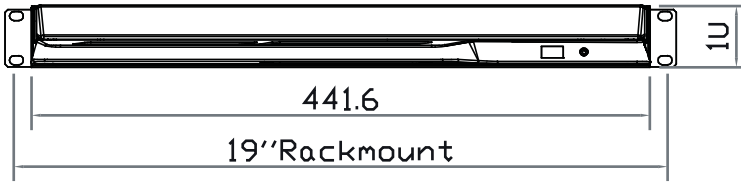
< 1.2 > Structure Diagram



< 1.2 > Dimension

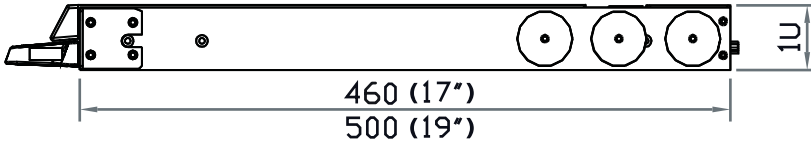
RKP117 / 119

Front View

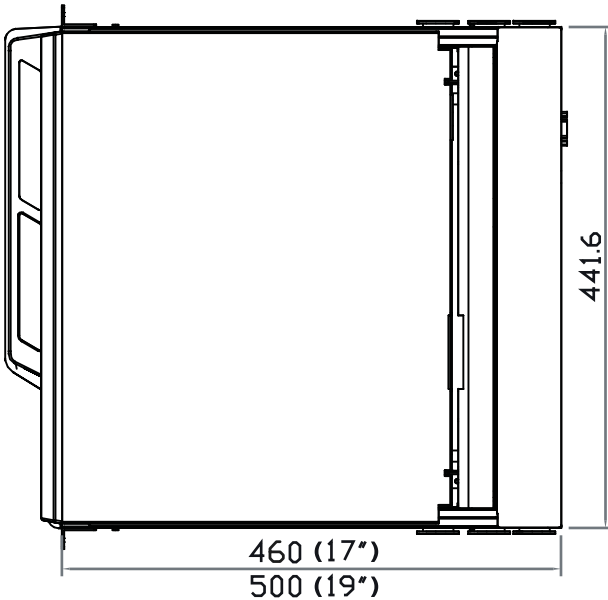


Side View

UNIT : mm
1mm = 0.03937 inch



Top View



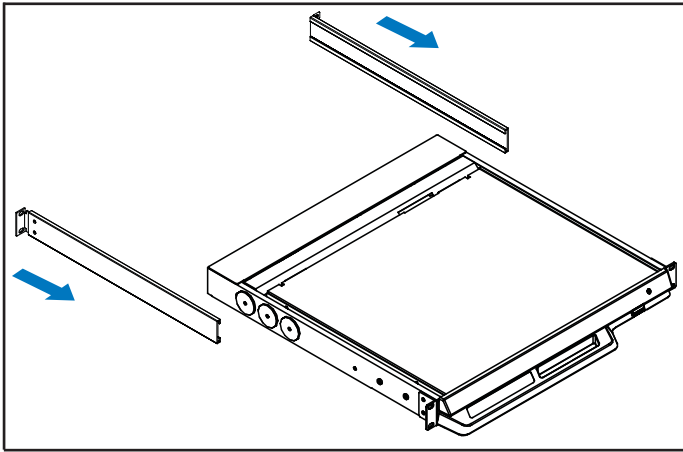
| Model | Product Dimension (W x D x H) | Packing Dimension (W x D x H) | Net Weight | Gross Weight |
|---------------|--|--|----------------|------------------|
| RKP117 series | 441.6 x 460 x 44 mm 17.4 x 18.1 x 1.73" | 590 x 823 x 140 mm 23.2 x 32.4 x 5.5" | 12 kg 26 lb | 16.5 kg 36 lb |
| RKP119 series | 441.6 x 500 x 44 mm 17.4 x 19.7 x 1.73" | 590 x 823 x 140 mm 23.2 x 32.4 x 5.5" | 13 kg 29 lb | 17.5 kg 39 lb |



The weight is only for the single console models. It varies with accessories & options such as KVM, HDMI, DVI-D, AV, audio & DC power.

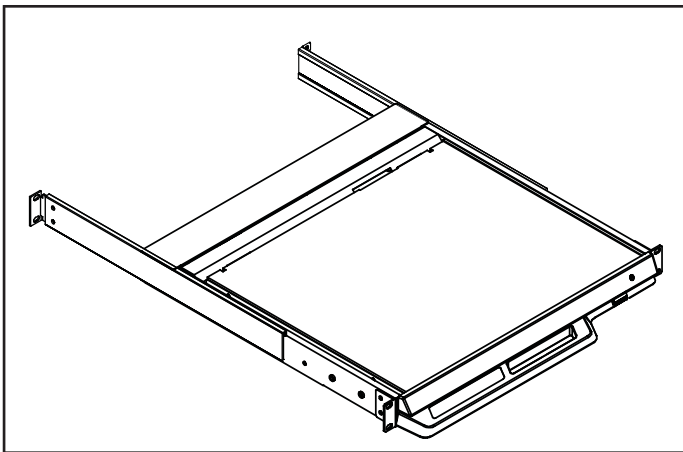
< 1.3 > Installation - How to install

Installation Slides



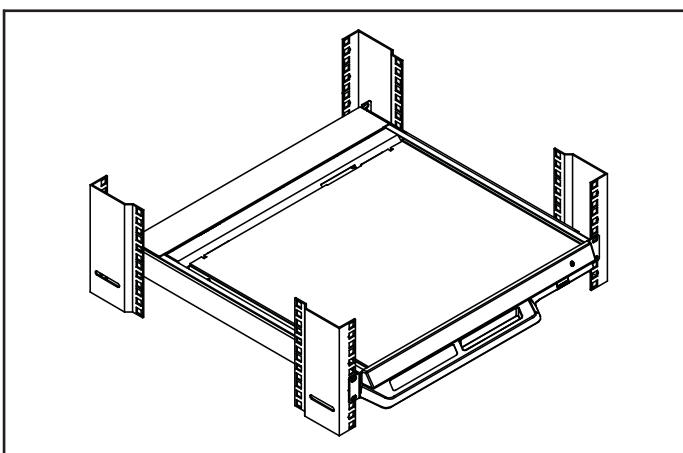
Step 1

- Insert the left and right rear mounting brackets into the LCD console drawer.



Step 2

- Measure the depth of the front and rear mounting rails.
- Align each rear mounting bracket to a suitable length.

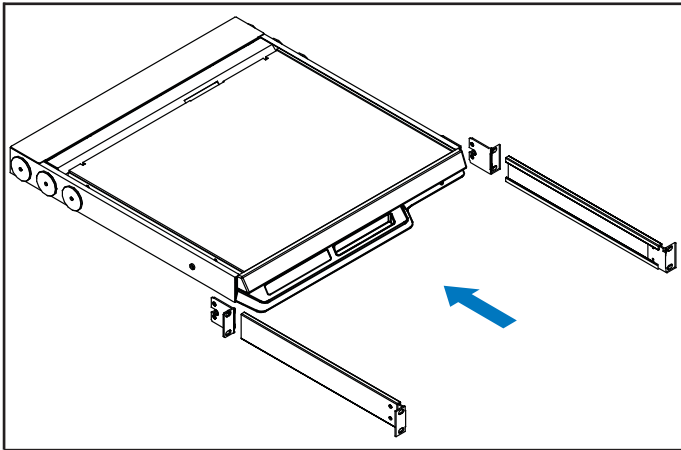


Step 3

Complete the installation

- Fix the LCD console drawer into the rack.

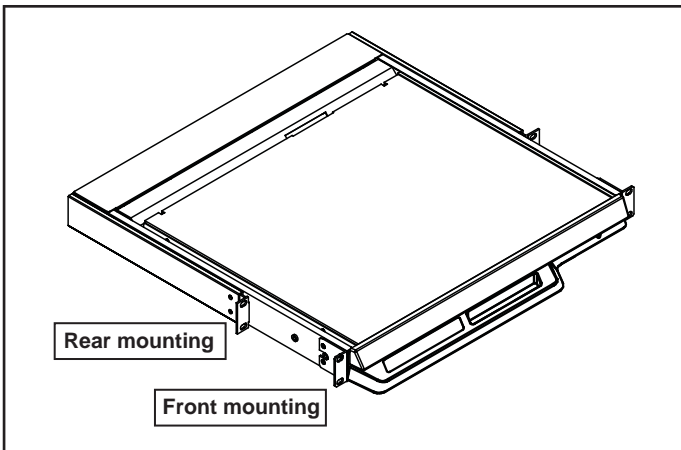
 M6 screw, cage nut & cup washer x 8 are provided.



Step 1

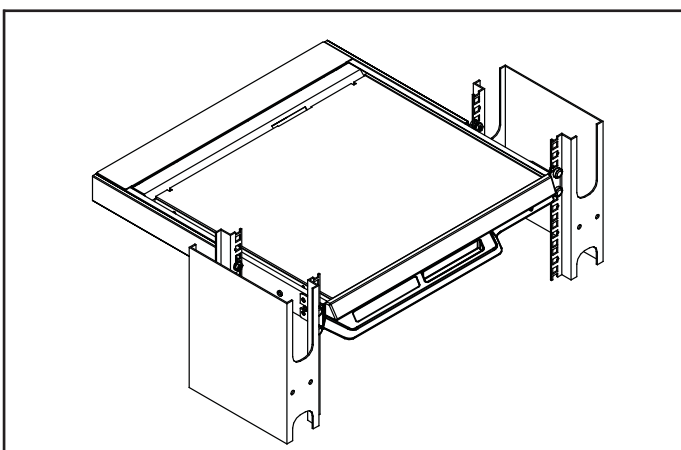
- Release front mounting ears before applying 2 post rack brackets.
- Insert rear mounting brackets into the LCD console drawer.

Option
Model : MB-751-12



Step 2

- Align each rear mounting bracket to a suitable length.



Step 3

Complete the installation

- Fix the LCD console drawer into the 2 post rack.



M6 screw, cage nut & cup washer x 8 are not provided.

< 1.3 > Installation- How to use the drawer



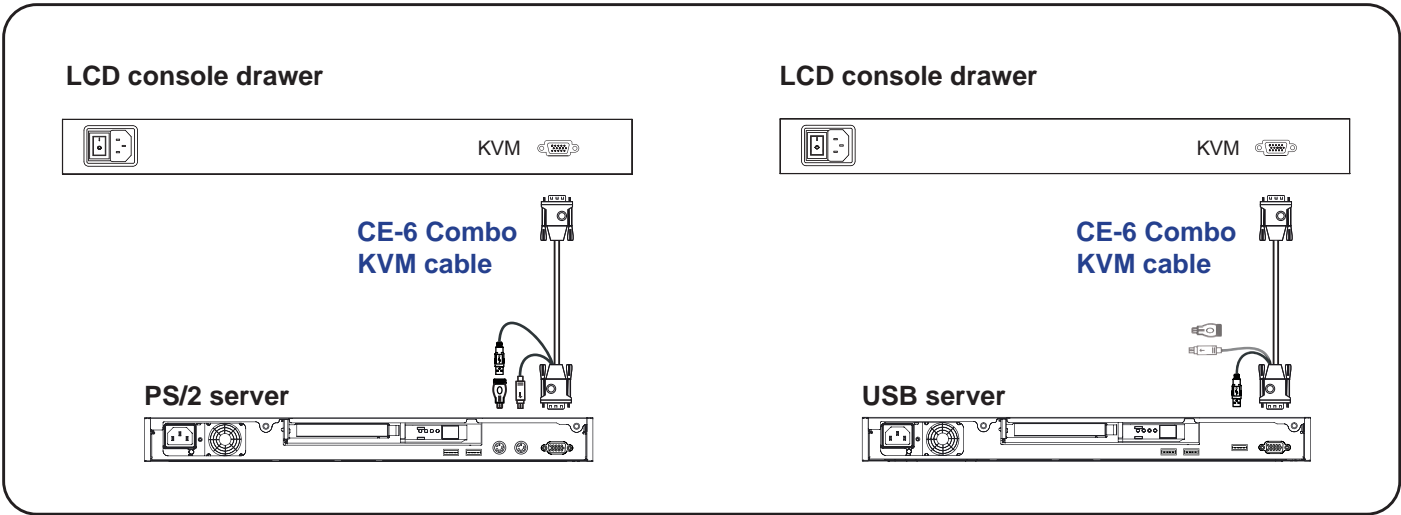
- Hold the handle and slide out the drawer.



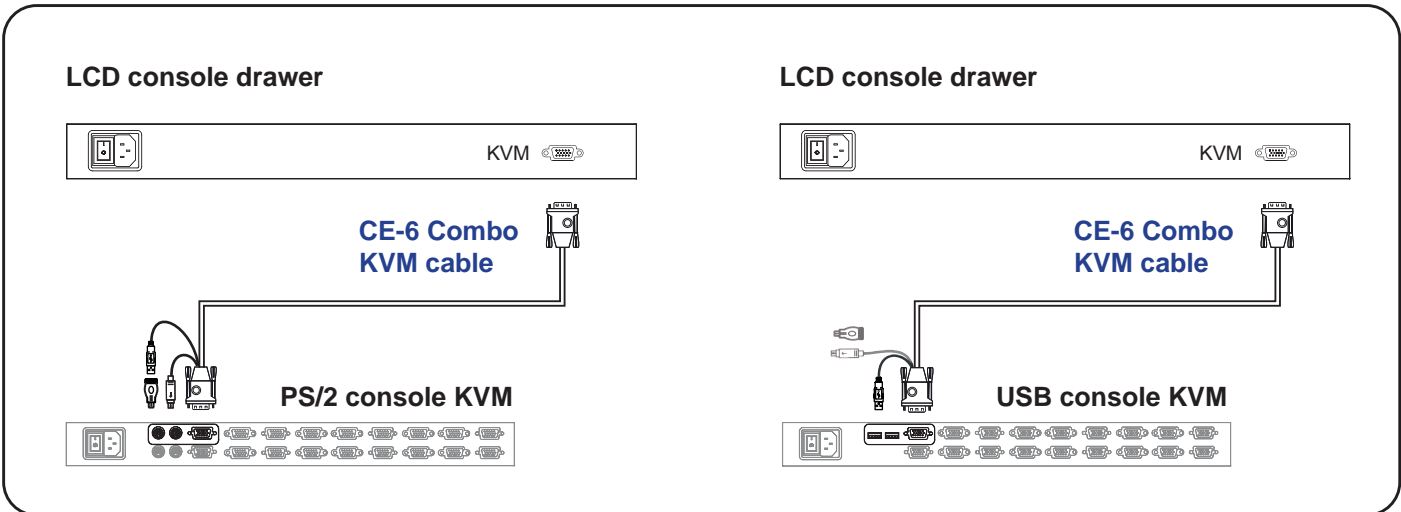
- Flip up the LCD to a suitable angle.



- Operate the LCD console drawer.




< 1.4 > Connection to **external KVM**



Caution : The LCD console drawer is hot-pluggable, but components of connected devices, such as the servers and KVM switch, may not be hot-pluggable. Plugging and unplugging cables while servers and KVM are powered on may cause irreversible damage to the servers, KVM and LCD console drawer. Before attempting to connect anything to the LCD console drawer, we suggest turning off the power to all devices. Apply power to connected devices again only after the LCD console drawer is receiving power. The company is not responsible for damage caused in this way.

< Part 2 >

< 2.1 > Product Specifications

| LCD Panel | | RKP117 | RKP119 |
|--------------|--------------------------------|---|-----------------------|
| | Manufacturer |  | |
| | Panel Size (diagonal) | 17-inch TFT color LCD | 19-inch TFT color LCD |
| | Display pixel (dots x lines) | 1280 x 1024 | 1280 x 1024 |
| | Brightness (typ.) | 250 | 250 |
| | Contrast Ratio (typ.) | 1000:1 | 1000:1 |
| | Color | 16.7 M | 16.7 M |
| | Viewing Angle (L/R/U/D) | 80/80/80/80 | 80/80/80/80 |
| | Response Time (ms) | 5 | 5 |
| | Dot pitch (mm) | 0.264 | 0.294 |
| | Display Area (mm) | 337.92H x 270.33V | 376.32H x 301.05V |
| | Surface treatment | Haze 25%, Hard-coating | |
| | Surface hardness | 3H | 3H |
| | Backlight Type | CCFL | CCFL |
| MTBF (hrs) | 50,000 | 50,000 | |

| Video Connectivity | Digital | HDMI | HDMI 1.1, CEA-861-D |
|--------------------|-------------|---------------------------|-------------------------|
| | | DVI | DVI-D, TMDS single link |
| | Analog | VGA | Analog 0.7Vp-p |
| | | Composite (BNC) | NTSC & PAL |
| | | S-Video (4-pin) | NTSC & PAL |
| | Plug & Play | DVI / VGA | VESA EDID structure 1.3 |
| Synchronization | VGA | Separate, Composite & SOG | |

| Audio Connectivity | Audio Input | Connector | 3.5mm stereo jack |
|--------------------|--------------|--------------------------|-------------------|
| | | Impedance / Power level | 30kΩ / 750mV |
| | Audio Output | Connector | 3.5mm stereo jack |
| | | Resistance / Power level | 30kΩ / 2.8V |
| | | Speaker Output | Power |

*When the audio output is connected, speaker output is OFF

| Power | Power Supply | Range | Auto-sensing 100 to 240VAC, 50 / 60Hz |
|-------|-------------------|-------------------|---------------------------------------|
| | Power Consumption | Screen display ON | 25W or less |
| | | Power saving mode | 4W or less |
| | | Power button OFF | 1W or less |

| Regulatory | Safety Approval | cUL, FCC & CE |
|------------|-----------------|---------------|
|------------|-----------------|---------------|

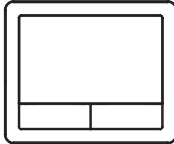
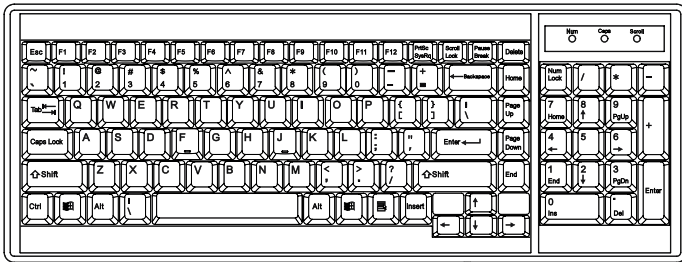
| | | | |
|---------------------------------|-----------|-------------|----------------------------------|
| Environmental Conditions | Operating | Temperature | 0 to 50°C degree |
| | | Humidity | 20~90%, non-condensing |
| | Storage | Temperature | -5 to 60°C degree |
| | | Humidity | 5~90%, non-condensing |
| | | Shock | 10G acceleration (11ms duration) |
| | | Vibration | 5~500Hz 1G RMS random |

| Physical Specification | | RKP117 | RKP119 |
|-------------------------------|-----------------------|--|--|
| | Product (W x D x H) | 441.6 x 460 x 44 mm 17.4 x 18.1 x 1.73 inch | 441.6 x 500 x 44 mm 17.4 x 19.7 x 1.73 inch |
| | Packing (W x D x H) | 590 x 823 x 140 mm 23.2 x 32.4 x 5.5 inch | 590 x 823 x 140 mm 23.2 x 32.4 x 5.5 inch |
| | Net Weight | 12 kgs / 26 lbs | 13 kgs / 29 lbs |
| | Gross Weight | 16.5 kgs / 36 lbs | 17.5 kgs / 39 lbs |

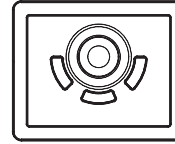
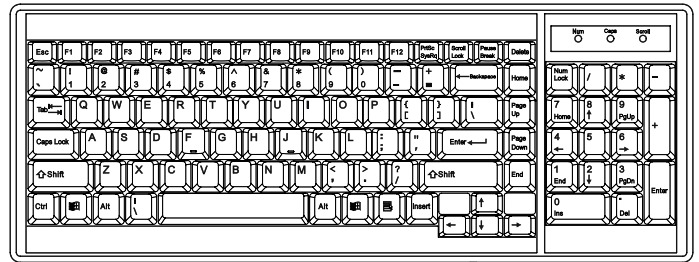
| | | | |
|--------------------------|-----------|-----------|-----------------------------|
| Applicable Format | VGA Input | PC Signal | 1280 x 1024 x 60 / 75Hz |
| | | | 1280 x 960 x 60Hz |
| | | | 1280 x 760 x 60 / 75Hz |
| | | | 1152 x 864 x 75Hz |
| | | | 1024 x 768 x 60 / 70 / 75Hz |
| | | | 848 x 480 x 60Hz |
| | | | 800 x 600 x 60 / 72 / 75Hz |
| | | | 720 x 400 x 70Hz |
| | | | 640 x 480 x 60 / 72 / 75Hz |
| | | | 640 x 400 x 70Hz |
| 640 x 350 x 70Hz | | | |

< 2.2 > Keyboard / Mouse Specifications

Ge G keyboard integrated with touchpad



Gb G keyboard integrated with trackball



| | |
|----------------------------|---|
| Key force | 55 ± 5g |
| Travelling distance | 3 ± 0.3mm |
| Switch life | > 10 million life cycle time |
| Software support | MS Windows 7 / 2008 / 2003 / 2000 / XP / ME / 98 / DOC Linux / Mac |

Supporting layouts

America



United States



United Kingdom



Germany



France



Spain



Norway

EMEA



Italy



Russia



Switzerland



Netherlands



Portugal

Asia



China



Japan



Korea



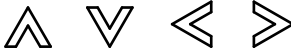



Arabia






Turkey



| Membrane Switch | Function |
|---|--|
|  | Turn the monitor on or off |
|  | Display the OSD menu Act as an Enter key to select screen setting options |
|  | Scroll through menu options and adjust the displayed control |
|  | Exit the OSD screen Go back to the previous on-screen sub-menu or main menu |






Remark : All LED touch buttons in **WHITE** light.

The LED of **Power**  touch button will flash continuously when there is no signal input.

- ① All the LED touch buttons will automatically turn off after 10 minutes of idle status (except the **Power** ).
- ② Light up all membrane buttons, please press any button for 1 - 2 seconds (except the **Power** ).

< 2.3 > On-screen Display Operation (OSD)

Ver: G56SN20SSTD701
1024 x 768 59.8Hz

Image

Brightness 50

Contrast 50

Color Temp User

Red 255

Green 255

Blue 255

Adjust: ←→
Select: ↑↓
Set: ●/■
Exit: ↵

OSD Configuration Page


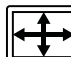




Image:
for the brightness, contrast, color temp, red, green, and blue




Geometry:
for the auto adjust, H position, V position, phase and clock



Video:
for the colour, tint, sharpness, noise reduction, DCDi and TV Setup



Audio:
for volume, bass, treble, balance, AVL and mute



Misc:
for the language, OSD position, graphic mode, ratio, reset and timer

< Part 3 >

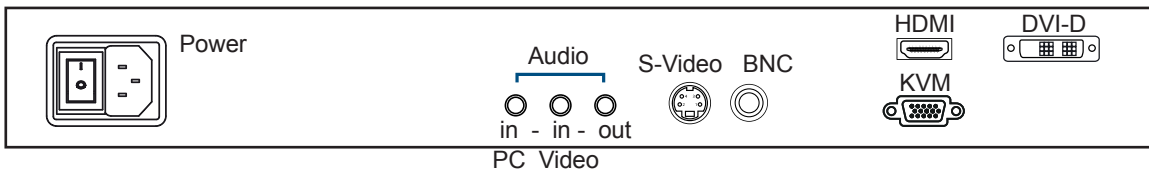
< 3.1 > Options :

RKP117 / 119

- **HDMI** (HDMI 1.1, CEA-861-D)
- **DVI-D** (DVI-D TMDS single link)
- **AV** (S-Video + Composite, BNC)
- **Audio** (3.5mm audio jacks for audio in & out, and 2W + 2W speakers)



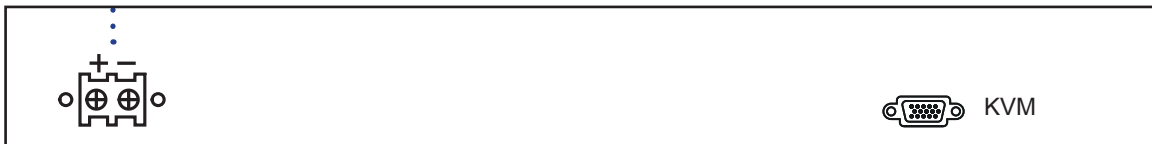
- (1) For AV2.2 upgrade, either HDMI or DVI-D is provided.
- (2) For the above options, RKP117 depth will be extended from 460mm (18.1") to 530mm (20.9") and RKP119 depth will be extended from 480mm (18.9") to 570mm (22.4")



< 3.2 > Options : DC Power

| Model | 12V | 24V | 48V |
|----------------------|---------|----------|----------|
| Input rating | | | |
| Input voltage: | 12-Volt | 24-Volt | 48-Volt |
| Input range: | 9 ~ 18V | 18 ~ 36V | 36 ~ 75V |
| Input current | | | |
| - No load | 50 mA | 50 mA | 50 mA |
| - Full load | 4950 mA | 2450 mA | 1220 mA |
| Output rating | | | |
| Output voltage: | 12-Volt | 12-Volt | 12-Volt |
| Output current: | 4.16A | 4.16A | 4.16A |
| Efficiency | 84% | 85% | 85% |

DC power



*** For DC power option :

- (1) Option excludes 1 x power cord and 1 x AC power adapter.
- (2) RKP117 depth will be extended from 460mm (18.1") to 530mm (20.9")
- (3) RKP119 depth will be extended from 480mm (18.9") to 570mm (22.4")

The company reserves the right to modify product specifications without prior notice and assumes no responsibility for any error which may appear in this publication.

All brand names, logo and registered trademarks are properties of their respective owners.

Copyright 2013 Austin Hughes Electronics Ltd. All rights reserved.